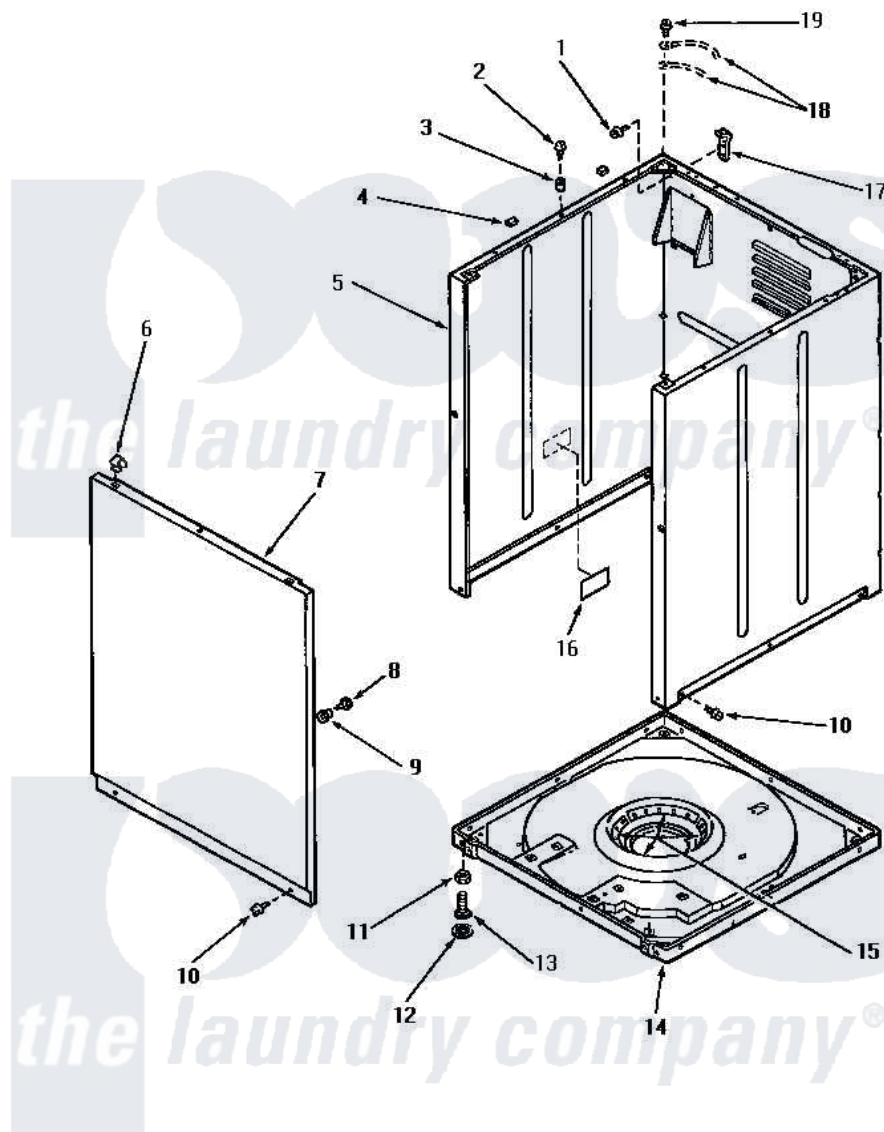


# Amana NA3520 06 - FRONT PANEL, CABINET & BASE



## FRONT PANEL, CABINET AND BASE

Amana Residential Amana NA3520 Washer Parts Parts Diagram 06 - FRONT PANEL, CABINET & BASE

[Click on the part number to view part](#)

| Item | Original Part Number   | Replaced By              | Status        | Part Description            |
|------|------------------------|--------------------------|---------------|-----------------------------|
| 1    | 51780                  | <a href="#">3390631</a>  |               | Screw, 10-16 X 3/8          |
| 2    | 56086                  | <a href="#">Y014874</a>  |               | Screw, Idler Arm And Sleeve |
| 3    | 56079                  | <a href="#">505187</a>   |               | Locator, Panel              |
| 4    | <a href="#">Y56128</a> |                          |               | Pad, Bumper                 |
| 5    | 31669HP                |                          | Not Available | REPL BY 34475HP             |
| "    | 31669WP                | <a href="#">38612WP</a>  |               | Kit-Service                 |
| "    | 31669LP                | <a href="#">38612LP</a>  |               | Kit Service Cabinet         |
| 6    | 28835                  | <a href="#">22001650</a> |               | Fastener, Spring            |
| 7    | 32708H                 |                          | Not Available | PANEL,FRONT                 |
| "    | 32708L                 | <a href="#">32708LP</a>  |               | Panel, Front                |
| "    | 32708W                 | <a href="#">32708WP</a>  |               | Panel Front                 |
| 8    | 32671                  | <a href="#">Y014874</a>  |               | Screw, Idler Arm And Sleeve |
| 9    | <a href="#">28102</a>  |                          |               | Locator, Panel              |
| 10   | 27196                  | <a href="#">27001200</a> |               | Screw                       |
| 11   | 28199                  |                          | Not Available | LOCKNUT                     |
| 12   | 21749                  | <a href="#">40016001</a> |               | Foot, Rubber                |

|    |                        |                          |                                  |
|----|------------------------|--------------------------|----------------------------------|
| 13 | 20409                  | <a href="#">22003428</a> | Leg, Adjustable                  |
| 14 | <a href="#">31653P</a> |                          | Assembly, Base-Complete-G90      |
| 15 | 434P3                  | Not Available            | KIT, SNUBBER PAD                 |
| 16 | 33285                  | Not Available            | TAPE, 1 INCH SQUARE, DBL         |
| 17 | <a href="#">Y27103</a> |                          | Hinge, Hold-Down Lug             |
| 18 | Y00000000              | Not Available            | SEE NOTE GROUND WIRES -- (GREEN) |
| 19 | 56392                  | Not Available            | SCREW, 8-18 X 3/8 TAPPI          |

