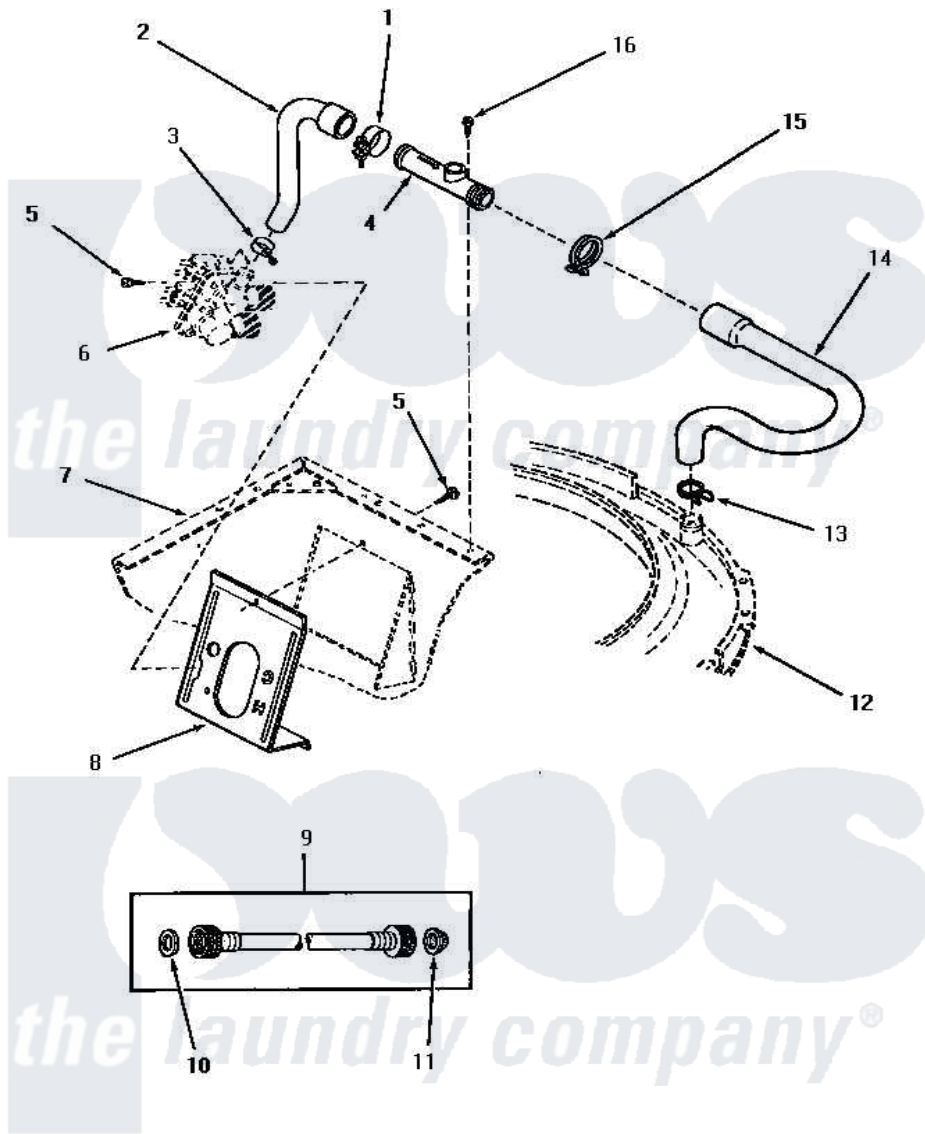


# Amana NA3812 12 - INLET/FILL HOSE/BACK FL PREVENTER & BRKT



## INLET HOSE, FILLER HOSE, BACK FLOW PREVENTER AND MIXING VALVE MOUNTING BRACKET

Amana [Residential Amana NA3812 Washer Parts](#) Parts Diagram 12 - INLET/FILL HOSE/BACK FL PREVENTER & BRKT

[Click on the part number to view part](#)

Item	Original Part Number	Replaced By	Status	Part Description
1	27152		Not Available	CLAMP HOSE
2	<a href="#">27183</a>			Hose, Mixing Valve
3	27643	<a href="#">596669</a>		Clamp, Manifold
4	27118	<a href="#">34280</a>		Assembly, Backflow Prevento
5	56392		Not Available	SCREW,8-18 X 3/8 TAPPI
6	Y00000000		Not Available	SEE NOTE MIXING VALVE
7	Y00000000		Not Available	SEE NOTE CABINET
8	32837	<a href="#">39407</a>		Bracket, Valve
9	28330P	<a href="#">202860</a>		Inlet Hose Assembly
10	20290	<a href="#">Y013783</a>		Washer, Inlet Hose
11	28605	<a href="#">22002960</a>		Strainer, Washer Inlet
12	Y00000000		Not Available	SEE NOTE OUTER TUB COVER
13	<a href="#">29210</a>			Hose Clamp
14	<a href="#">33186</a>			Hose, Water Inlet
15	21976		Not Available	HOSE CLAMP, GREEN

