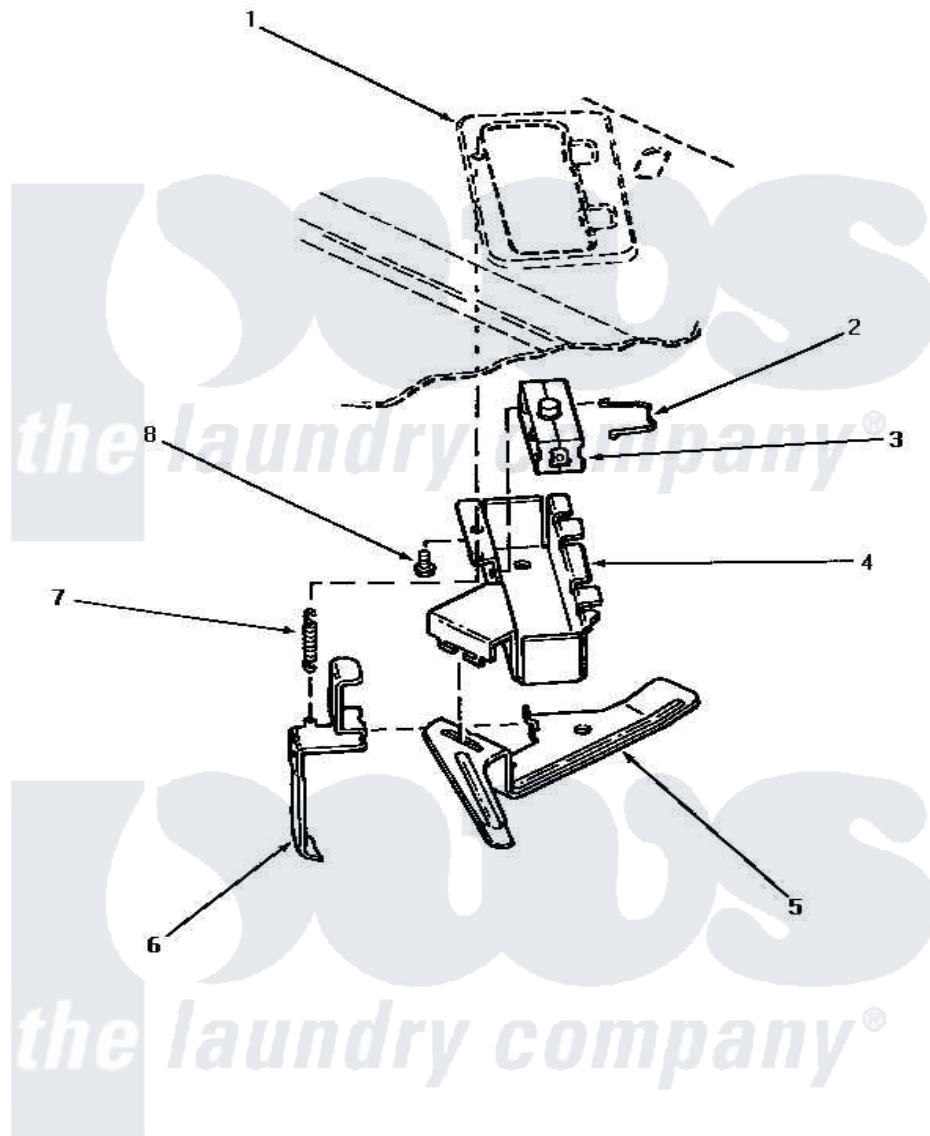


# Amana NA4821 07 - DOOR & OUT-OF-BALANCE SWITCH



## DOOR AND OUT-OF-BALANCE SWITCH

Amana [Residential Amana NA4821 Washer Parts](#) Parts Diagram 07 - DOOR & OUT-OF-BALANCE SWITCH  
 Click on the part number to view part

| Item | Original Part Number  | Replaced By               | Status        | Part Description       |
|------|-----------------------|---------------------------|---------------|------------------------|
| 1    | Y00000000             |                           | Not Available | SEE NOTE CABINET TOP   |
| 2    | 33433                 |                           | Not Available | CLIP,HOLDER-SWITCH     |
| 3    | 33445                 | <a href="#">27001095</a>  |               | Switch, Lid            |
| 4    | 33440                 | <a href="#">36497P</a>    |               | Kit, Switch Holder     |
| 5    | <a href="#">33441</a> |                           |               | Arm, Actuator          |
| 6    | <a href="#">33442</a> |                           |               | Lever, Unbalanced Load |
| 7    | <a href="#">33443</a> |                           |               | Spring                 |
| 8    | 23962                 | <a href="#">W10116760</a> |               | Screw                  |