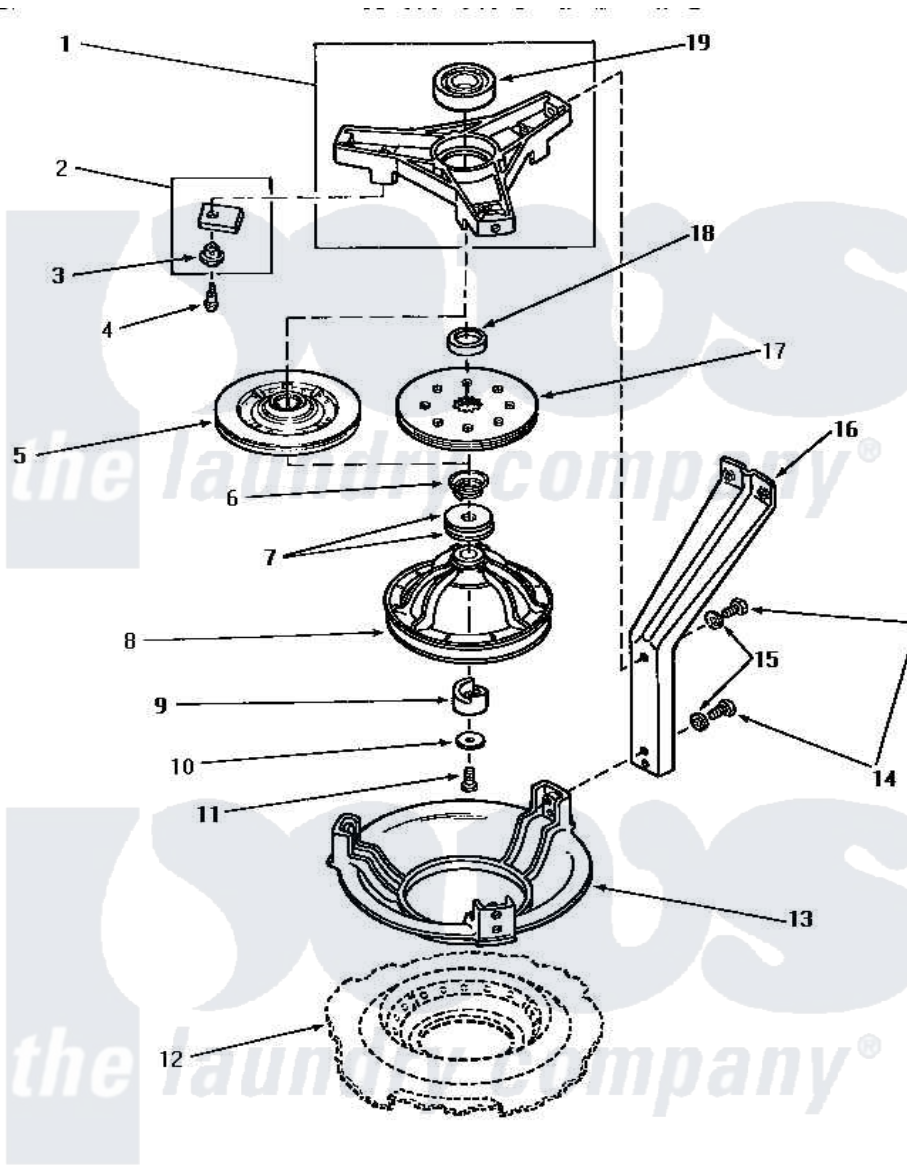


Amana NA5520 04 - BRG HSG/BRAKE/PULLEY & PIVOT DOME



BEARING HOUSING, BRAKE, PULLEY AND PIVOT DOME

Amana [Residential Amana NA5520 Washer Parts](#) Parts Diagram 04 - BRG HSG/BRAKE/PULLEY & PIVOT DOME
 Click on the part number to view part

| Item | Original Part Number | Replaced By | Status | Part Description |
|------|-----------------------|--------------------------|---------------|----------------------------|
| 1 | 28913 | 35746 | | AssemLy, Bearing Housing-L |
| 2 | 348P3 | R9900543 | | Pad-Brake |
| 3 | 29993 | | | Sleeve, Anti-Rotation |
| 4 | 26547 | | | Screw, 10-24 Shoulder |
| 5 | 31961P | R9900474 | | Brake Assembly |
| 6 | 33435 | | | Spring, Conical |
| 7 | 32651 | 40065701 | | Washer, 2 Odx.63 ID |
| 8 | 30260 | 34232P | | Kit-Pulley |
| 9 | 27018 | | | Helix |
| 10 | 26509 | 40041501 | | Washer |
| 11 | 27220 | 40063401 | | Screw, 1/4-20 x 5/8 Hex |
| 12 | Y00000000 | | Not Available | SEE NOTE BASE ASSEMBLY |
| 13 | 27124 | | Not Available | DOME,PIVOT |
| 14 | 30016 | 40128701 | | Screw, 5/16-18 X .50 |
| 15 | 04366 | | | Lockwasher, 5/16intshkp |
| 16 | 27090 | | | Leg, Support |

17 26556P

[R9900474](#)

Brake Assembly

18 [27176](#)

Spacer

19 28944

[40004001](#)

Bearing, Main

