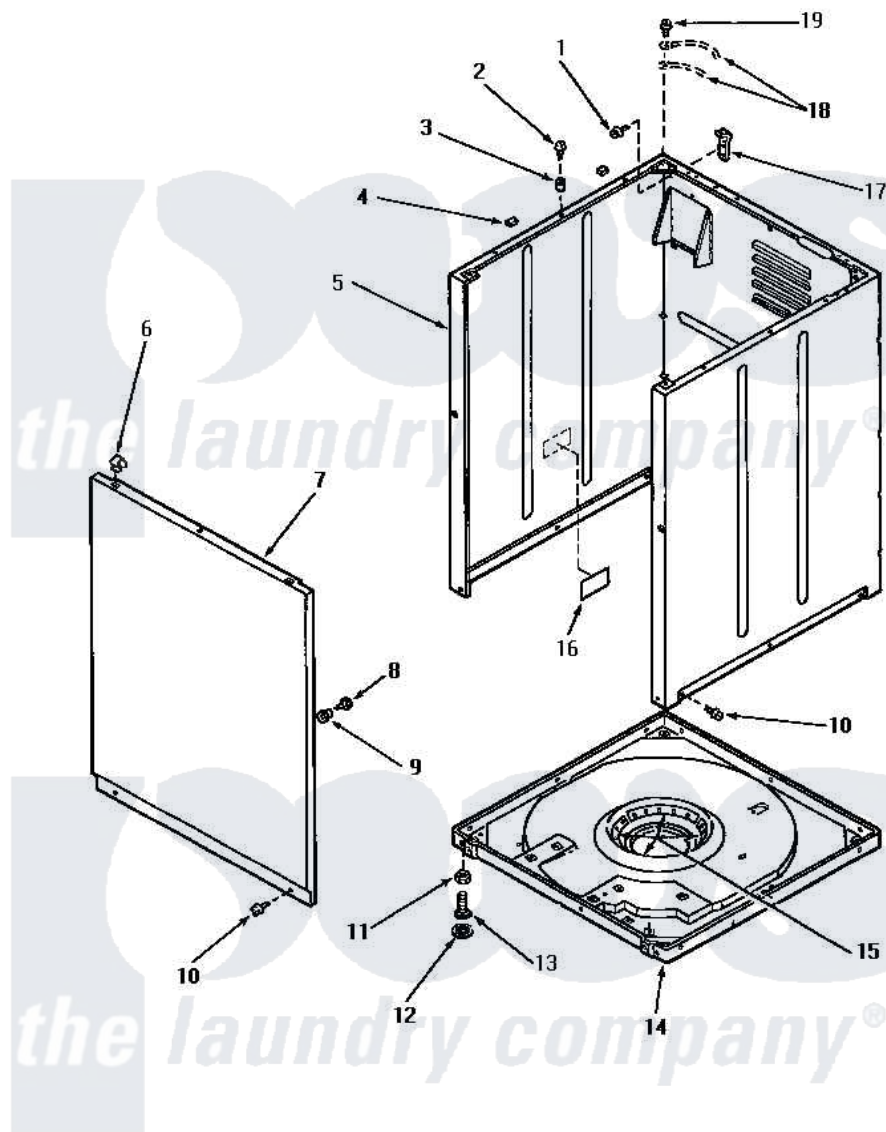


Amana NA5520 06 - FRONT PANEL, CABINET & BASE



FRONT PANEL, CABINET AND BASE

Amana [Residential Amana NA5520 Washer Parts](#) Parts Diagram 06 - FRONT PANEL, CABINET & BASE
 Click on the part number to view part

| Item | Original Part Number | Replaced By | Status | Part Description |
|------|------------------------|--------------------------|---------------|-----------------------------|
| 1 | 51780 | 3390631 | | Screw, 10-16 X 3/8 |
| 2 | 56086 | Y014874 | | Screw, Idler Arm And Sleeve |
| 3 | 56079 | 505187 | | Locator, Panel |
| 4 | Y56128 | | | Pad, Bumper |
| 5 | 31669HP | | Not Available | REPL BY 34475HP |
| " | 31669WP | 38612WP | | Kit-Service |
| " | 31669LP | 38612LP | | Kit Service Cabinet |
| 6 | 28835 | 22001650 | | Fastener, Spring |
| 7 | 32708H | | Not Available | PANEL,FRONT |
| " | 32708L | 32708LP | | Panel, Front |
| " | 32708W | 32708WP | | Panel Front |
| 8 | 32671 | Y014874 | | Screw, Idler Arm And Sleeve |
| 9 | 28102 | | | Locator, Panel |
| 10 | 27196 | 27001200 | | Screw |
| 11 | 28199 | | Not Available | LOCKNUT |
| 12 | 21749 | 40016001 | | Foot, Rubber |

| | | | |
|----|------------------------|--------------------------|----------------------------------|
| 13 | 20409 | 22003428 | Leg, Adjustable |
| 14 | 31653P | | Assembly, Base-Complete-G90 |
| 15 | 434P3 | Not Available | KIT, SNUBBER PAD |
| 16 | 33285 | Not Available | TAPE, 1 INCH SQUARE, DBL |
| 17 | Y27103 | | Hinge, Hold-Down Lug |
| 18 | Y00000000 | Not Available | SEE NOTE GROUND WIRES -- (GREEN) |
| 19 | 56392 | Not Available | SCREW, 8-18 X 3/8 TAPPI |
| NI | 26594P | | Grease, Silicone - 2 Oz Tube |

