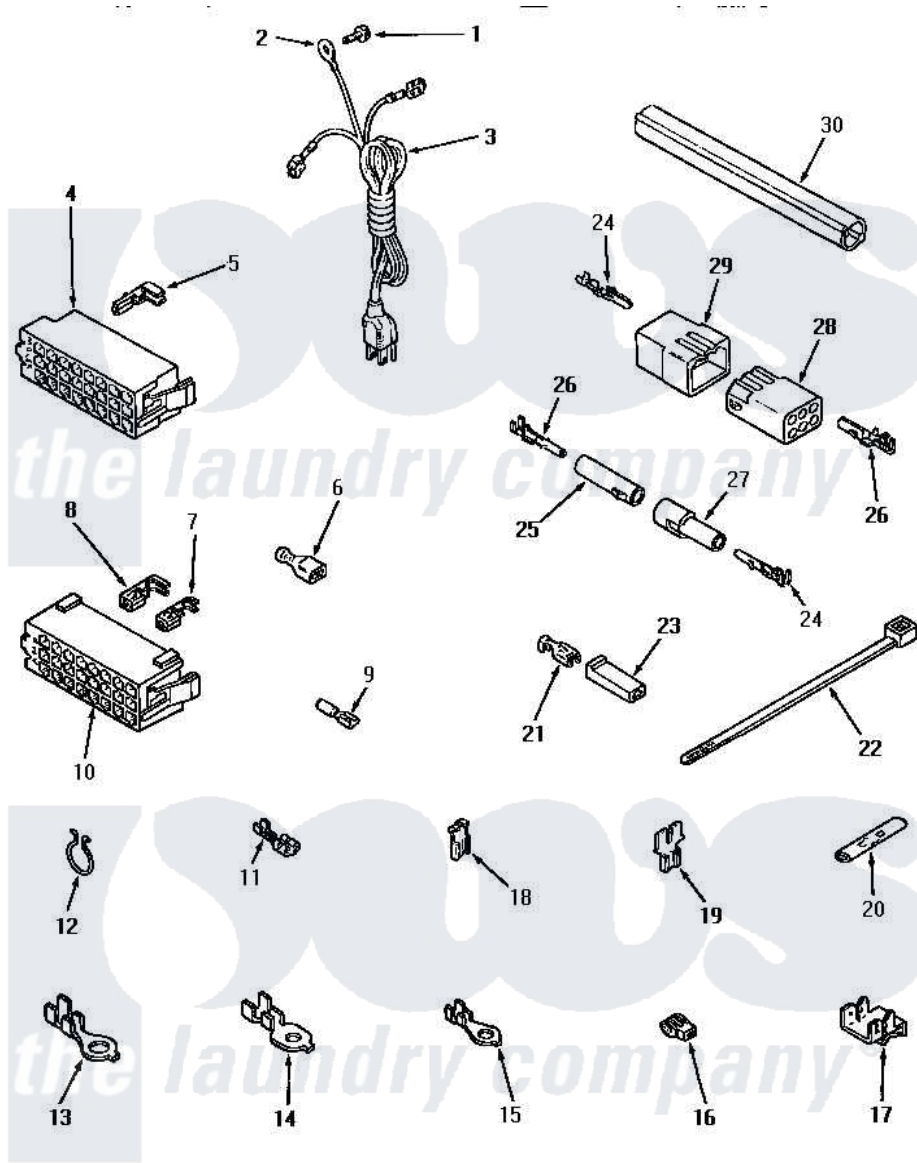


# Amana NA5530 15 - POWER CORD & WIRE TERMINALS



## POWER CORD AND WIRE TERMINALS

Amana [Residential Amana NA5530 Washer Parts](#) Parts Diagram 15 - POWER CORD & WIRE TERMINALS  
 Click on the part number to view part

| Item | Original Part Number   | Replaced By            | Status        | Part Description  |
|------|------------------------|------------------------|---------------|---|
| 1    | <a href="#">52909</a>  |                        |               | Screw, 10B-16 X 1/2 HeX                                 |
| 2    | Y00000000              |                        | Not Available | SEE NOTE GOUND WIRE -- (GREEN)                          |
| 3    | 22660                  |                        | Not Available | POWER CORD AND PLUG                                     |
| 4    | <a href="#">34123</a>  |                        |               | Housing, LH -24 Position                                |
| "    | <a href="#">32746</a>  |                        |               | Housing, RH-24 Positi                                   |
| 5    | <a href="#">Y00188</a> |                        |               | Molex Terminal  |
| 6    | Y00163                 | <a href="#">285432</a> |               | Terminal  |
| "    | <a href="#">Y00165</a> |                        |               | Insulated Spade Terminal                                |
| 7    | 00180                  |                        | Not Available | TERMINAL,FEMALE   |
| 8    | 00183                  |                        | Not Available | TERMINAL,FEMALE 2-WIRE                                  |
| 9    | <a href="#">Y00215</a> |                        |               | Barrel Insulated Spade                                  |
| "    | Y00214                 |                        | Not Available | BARREL INSULATED SPADE(18 GAUG (1/4 INCH-18 GAUGE WIRE) |
| 10   | 28856                  |                        | Not Available | HOUSING,24 POSITION                                     |
| 11   | Y00119                 |                        | Not Available | SPADE TERMINAL(18 GAUGE) (1/4 INCH-(1) 18               |

|    |                        |                          |  |
|----|------------------------|--------------------------|--|
|    |                        |                          | GAUGE WIRE)  |
| "  | Y00121                 | Not Available            | SPADE TERMINAL(12 GAUGE) (1/4 INCH-(2) 18 GAUGE WIRES O      |
| 12 | <a href="#">51291</a>  |                          | Clip, Wire   |
| 13 | Y00113                 | Not Available            | TERMINAL,RING-1/4 STUD                                       |
| 14 | <a href="#">Y00111</a> |                          | Ring Terminal No.10 No.10 18 Gauge Wires Or                  |
| 15 | <a href="#">00110</a>  |                          | No.10 18 Gauge Wire  |
| 16 | 70210                  | Not Available            | INSULATOR,BLUE   |
| 17 | Y00161                 | <a href="#">B5733302</a> | Clip, Ground   |
| 18 | <a href="#">Y00120</a> |                          | Terminal, Flag-1/4 Fema                                      |
| 19 | 29673                  | Not Available            | DOUBLE CONNECTOR   |
| 20 | 21091                  | Not Available            | CONNECTOR TWO 1/4 INCH MALE                                  |
| 21 | <a href="#">Y00115</a> |                          | Lock In Spade Terminal (18 Gaug (1/4 Inch-(1) 18 Gauge Wire) |
| 22 | 55881                  | <a href="#">M0321209</a> | Tie-Electrical   |
| 23 | <a href="#">90789</a>  |                          | Connector  |
| 24 | <a href="#">Y00116</a> |                          | Terminal, Pin-Male   |
| 25 | <a href="#">26301</a>  |                          | Receptacle, Molex  |
| 26 | Y00117                 | <a href="#">5011-XX</a>  | 093 Female Socket  |
| 27 | 26302                  | Not Available            | PLUG,1 CIRCUIT   |
| 28 | <a href="#">26708</a>  |                          | Receptacle, 6 Circuit  |
| 29 | <a href="#">23041</a>  |                          | Plug, 6 Circuit  |
| 30 | 33087                  | Not Available            | ENCLOSURE,WIRE HARNESS                                       |

*the laundry company*<sup>®</sup>

*the laundry company*<sup>®</sup>