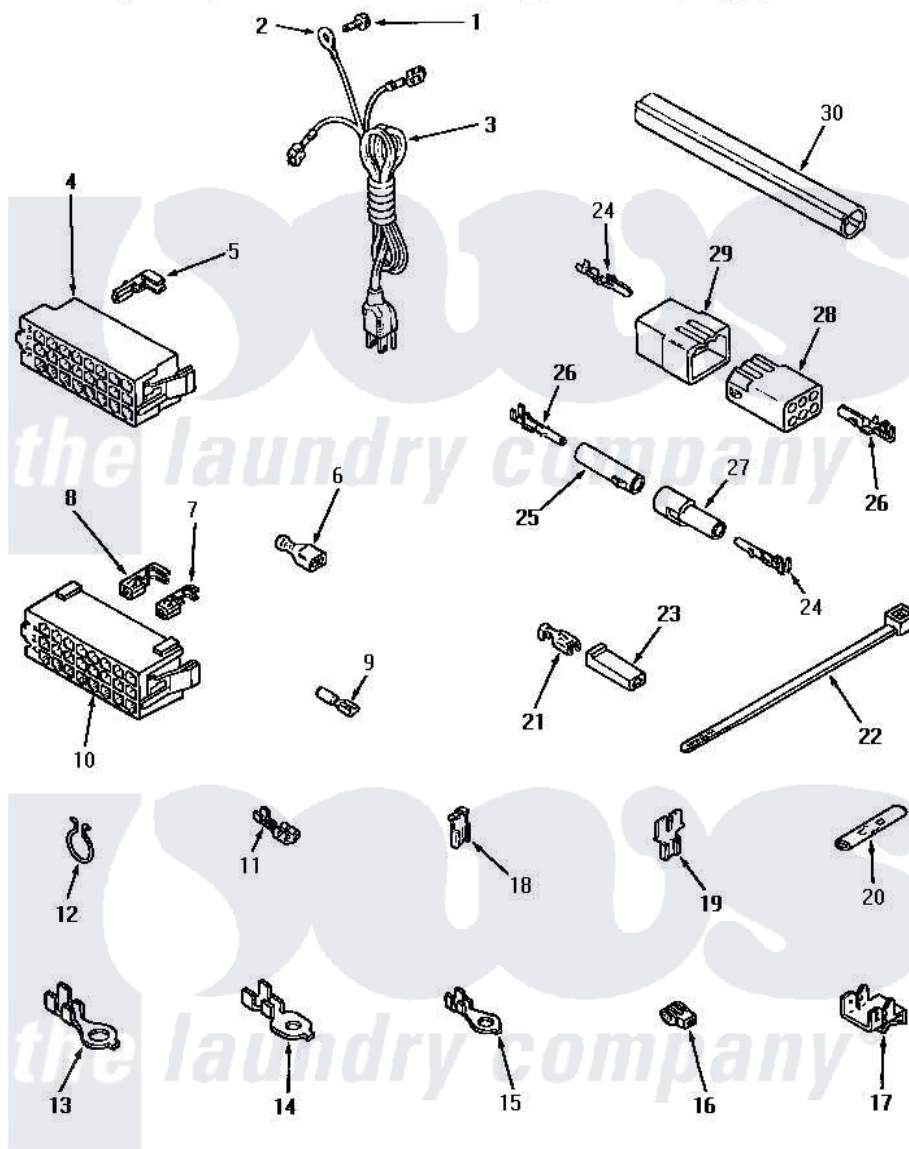


Amana NA6532 15 - POWER CORD & WIRE TERMINALS



POWER CORD AND WIRE TERMINALS

Amana [Residential Amana NA6532 Washer Parts](#) Parts Diagram 15 - POWER CORD & WIRE TERMINALS
 Click on the part number to view part

| Item | Original Part Number | Replaced By | Status | Part Description |
|------|------------------------|------------------------|---------------|---|
| 1 | 52909 | | | Screw, 10B-16 X 1/2 HeX |
| 2 | Y00000000 | | Not Available | SEE NOTE GOUND WIRE -- (GREEN) |
| 3 | 22660 | | Not Available | POWER CORD AND PLUG |
| 4 | 34123 | | | Housing, LH -24 Position |
| " | 32746 | | | Housing, RH-24 Positi |
| 5 | Y00188 | | | Molex Terminal |
| 6 | Y00163 | 285432 | | Terminal |
| " | Y00165 | | | Insulated Spade Terminal |
| 7 | 00180 | | Not Available | TERMINAL,FEMALE |
| 8 | 00183 | | Not Available | TERMINAL,FEMALE 2-WIRE |
| 9 | Y00215 | | | Barrel Insulated Spade |
| " | Y00214 | | Not Available | BARREL INSULATED SPADE(18 GAUG (1/4 INCH-18 GAUGE WIRE) |
| 10 | 28856 | | Not Available | HOUSING,24 POSITION |
| 11 | Y00119 | | Not Available | SPADE TERMINAL(18 GAUGE) (1/4 INCH-(1) 18 |

| | | | |
|----|------------------------|--------------------------|--|
| | | | GAUGE WIRE) |
| " | Y00121 | Not Available | SPADE TERMINAL(12 GAUGE) (1/4 INCH-(2) 18 GAUGE WIRES O |
| 12 | 51291 | | Clip, Wire |
| 13 | Y00113 | Not Available | TERMINAL,RING-1/4 STUD |
| 14 | Y00111 | | Ring Terminal No.10 No.10 18 Gauge Wires Or |
| 15 | 00110 | | No.10 18 Gauge Wire |
| 16 | 70210 | Not Available | INSULATOR,BLUE |
| 17 | Y00161 | B5733302 | Clip, Ground |
| 18 | Y00120 | | Terminal, Flag-1/4 Fema |
| 19 | 29673 | Not Available | DOUBLE CONNECTOR |
| 20 | 21091 | Not Available | CONNECTOR TWO 1/4 INCH MALE |
| 21 | Y00115 | | Lock In Spade Terminal (18 Gaug (1/4 Inch-(1) 18 Gauge Wire) |
| 22 | 55881 | M0321209 | Tie-Electrical |
| 23 | 90789 | | Connector |
| 24 | Y00116 | | Terminal, Pin-Male |
| 25 | 26301 | | Receptacle, Molex |
| 26 | Y00117 | 5011-XX | 093 Female Socket |
| 27 | 26302 | Not Available | PLUG,1 CIRCUIT |
| 28 | 26708 | | Receptacle, 6 Circuit |
| 29 | 23041 | | Plug, 6 Circuit |
| 30 | 33087 | Not Available | ENCLOSURE,WIRE HARNESS |

the laundry company[®]

the laundry company[®]