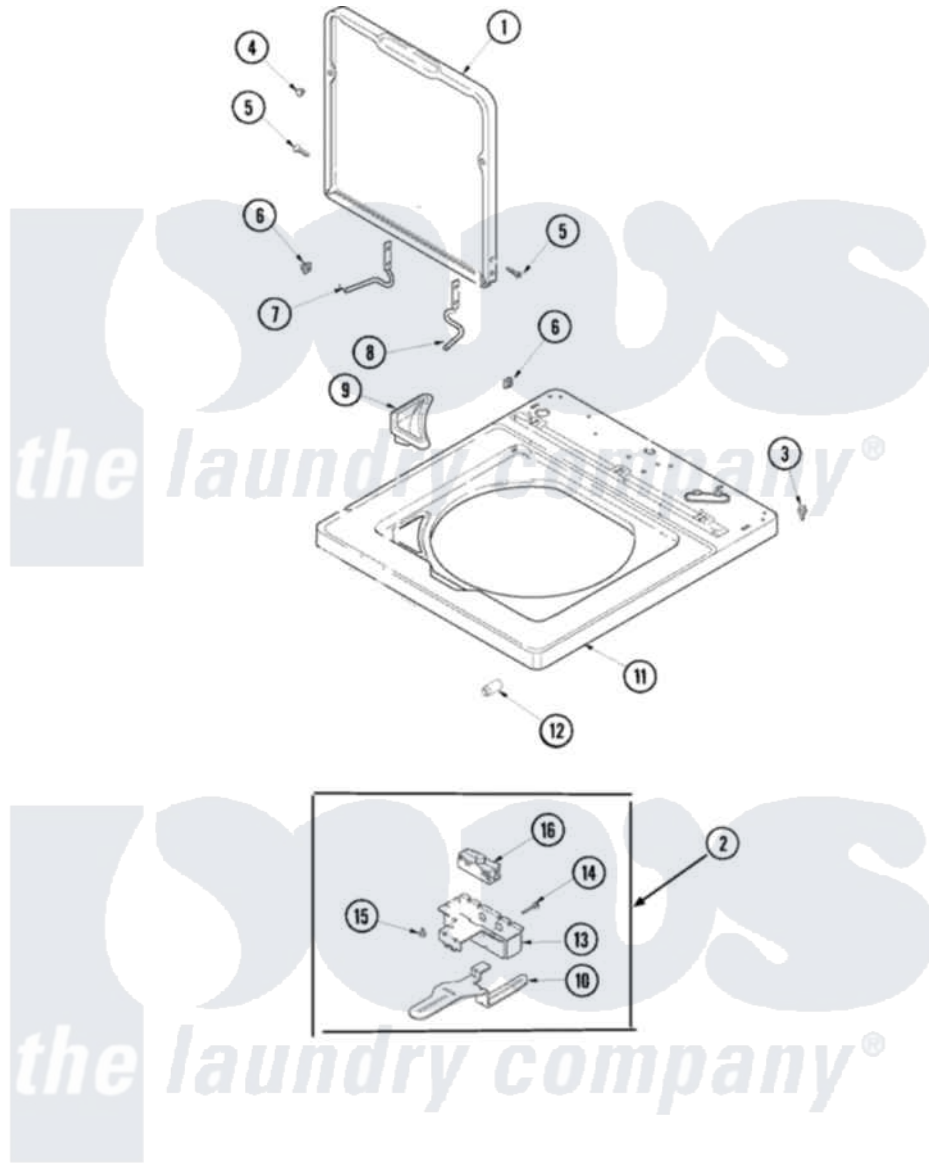


# Amana NAV5800AWW 06 - TOP AND DOOR SWITCH



Amana [Residential Amana NAV5800AWW Washer Parts](#) Parts Diagram 06 - TOP AND DOOR SWITCH  
 Click on the part number to view part

| Item | Original Part Number     | Replaced By               | Status | Part Description                        |
|------|--------------------------|---------------------------|--------|---|
| 1    | <a href="#">27001093</a> |                           |        | Lid                                     |
| "    | <a href="#">27001129</a> |                           |        | Medallion                               |
| 2    | 40034901                 | <a href="#">40034901P</a> |        | Assembly- Lid                           |
| 3    | 501086                   | <a href="#">90767</a>     |        | Screw, 8A X 3/8 HeX Washer Head Tapping |
| 4    | <a href="#">40038001</a> |                           |        | Bumper                                  |
| 5    | 40039201                 | <a href="#">W10119828</a> |        | Screw, Lid Hinge Mounting               |
| 6    | <a href="#">40008201</a> |                           |        | Bushing, Hinge                          |
| 7    | <a href="#">40094002</a> |                           |        | Hinge, Lid Left Stop                    |
| 8    | <a href="#">40094101</a> |                           |        | Hinge, Lid Right Pass                   |
| 9    | 27001094                 | <a href="#">27001117</a>  |        | Dispenser, Bleach                       |
| 10   | <a href="#">40009701</a> |                           |        | Arm, Lid Switch                         |
| 11   | 27001044                 | <a href="#">27001182</a>  |        | Top                                     |
| 12   | <a href="#">40102101</a> |                           |        | Cap, Hinge                              |
| 13   | <a href="#">40009801</a> |                           |        | Holder, Lid Switch                      |
| 14   | <a href="#">40040701</a> |                           |        | Screw, Tapping No.6b-20                 |
|      |                          |                           |        | Screw, 8A X 3/8 HeX Washer              |

