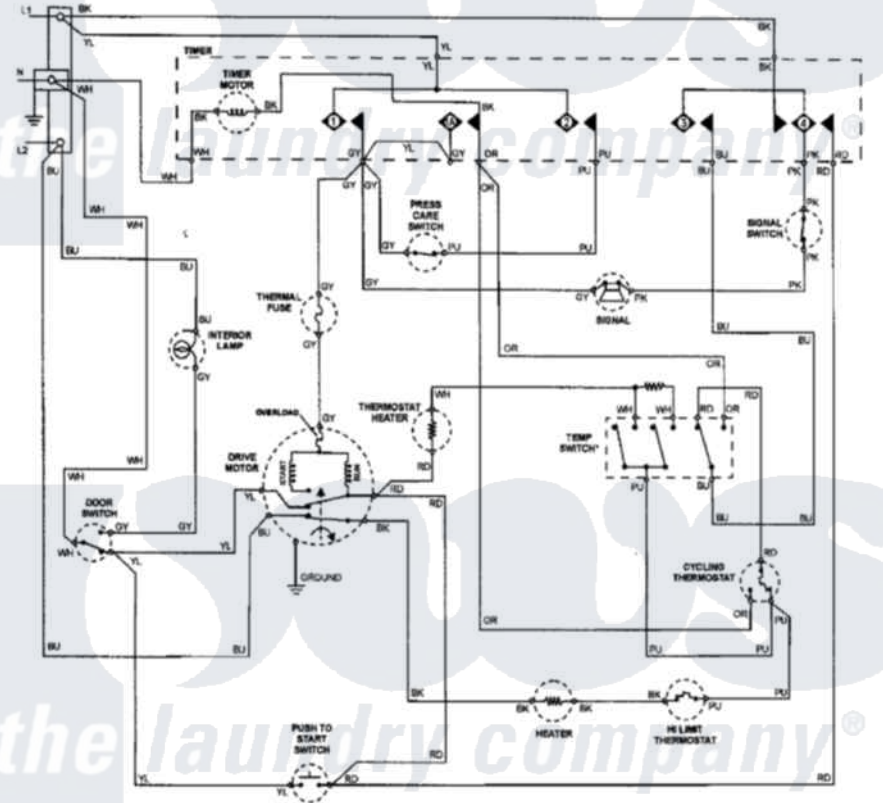


# Amana NDE5800AZW 10 - WIRING INFORMATION (SERIES 12)

CIRCUIT	FUNCTION	60	120	180	240	300	330
1	YL-GY MOTOR	[Wiring Grid]					
1A	GY-OR TIMER MOTOR	[Wiring Grid]					
2	YL-PU MOTOR	[Wiring Grid]					
3	PK-BU HEAT	[Wiring Grid]					
4	PK-PK HEAT & SIGNAL PK-RD SIGNAL	[Wiring Grid]					

□ CONTACTS OPEN	REGULAR FABRICS	PRESS CARE	OFF	TIME DRY	OFF	WRINKLE RELEASE	OFF	PERMANENT PRESS	PRESS CARE	OFF
■ CONTACTS CLOSED										



NOTE: Power cord provided on select models only.

2201014 A

*TEMP SWITCH DETAILS	
REGULAR	BU - RD
MEDIUM	BU - RD, PU - WH with Resistor
DELICATE	BU - RD, PU - WH
AIR FLUFF	BU - OR

Resistor may be internal or external to the switch.

CAUTION: Label all wires prior to disconnection when servicing controls. Wiring errors can cause improper and dangerous operation. Verify proper operation after servicing.

Amana Residential Amana NDE5800AZW Dryer Parts Parts Diagram 10 - WIRING INFORMATION (SERIES 12)  
 Click on the part number to view part

Item	Original Part Number	Replaced By	Status	Part Description
NI	15003423		Not Available	WIRING INFORMATION

