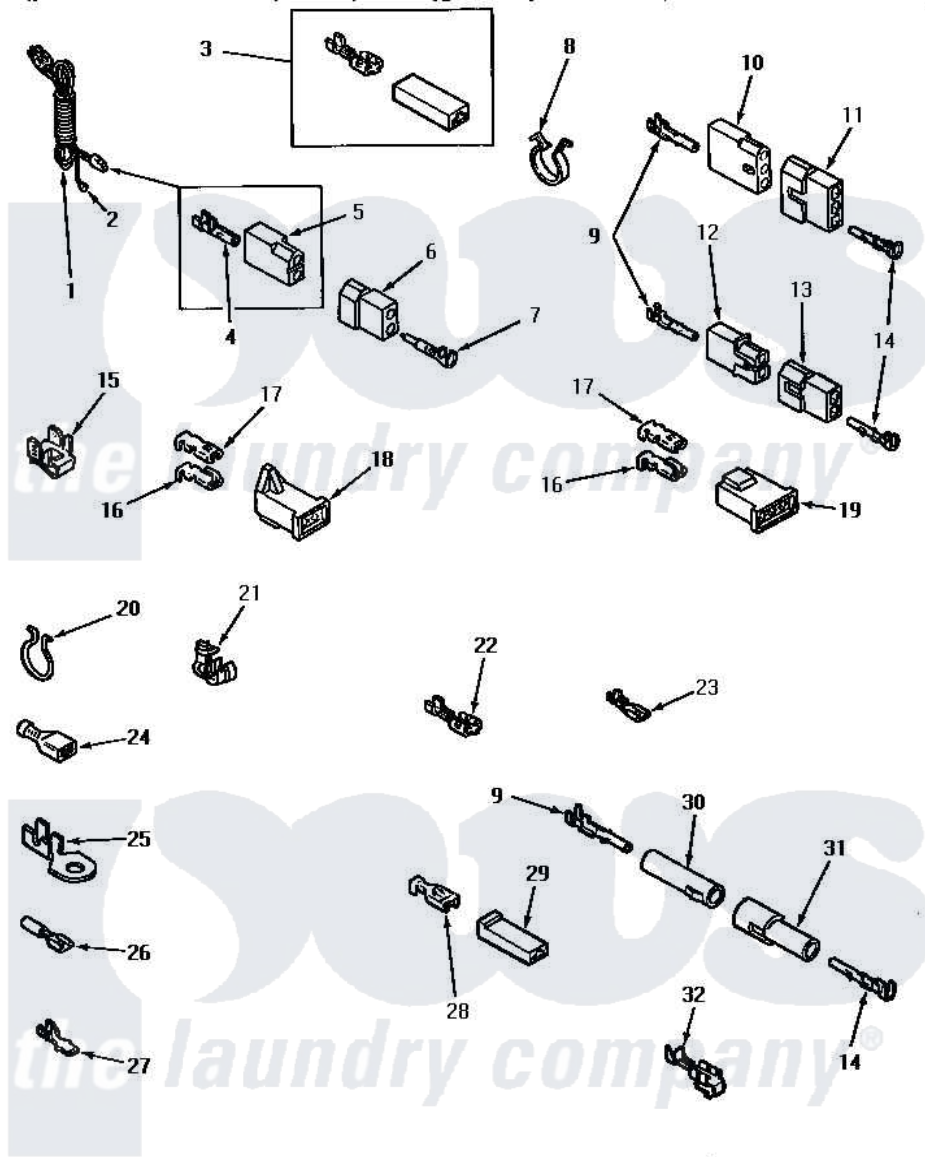


Amana NE6313 09 - POWER CORD & TERMINALS



POWER CORD AND TERMINALS

Amana [Residential Amana NE6313 Washer Parts](#) Parts Diagram 09 - POWER CORD & TERMINALS

[Click on the part number to view part](#)

| Item | Original Part Number | Replaced By | Status | Part Description |
|------|------------------------|--------------------------|---------------|--|
| 1 | Y56222 | 27001142 | | Cord, Power |
| 2 | Y00000000 | | Not Available | SEE NOTE GROUND WIRE, GREEN |
| 3 | Y00237 | | | Terminal-Female 1/4 ((1) 12 GAUGE Wire Or(2) 18 GA |
| 4 | 00130 | | | Terminal, Pin-1/8 Femal |
| 5 | 56265 | | | Receptacle, 2 Circuit |
| 6 | 56266 | | | Plug |
| 7 | Y00127 | | | Terminal, Pin-1/8 Male |
| 8 | 61510 | 504034 | | Clip, Wire |
| 9 | Y00117 | 5011-XX | | 093 Female Socket |
| 10 | 23039 | 697780 | | Receptacle, |
| 11 | 23040 | | | Plug-3 Circuit |
| 12 | 56451 | | | Receptacle, 2 Circuit |
| 13 | 56448 | | | Terminal Block Plug |
| 14 | Y00116 | | | Terminal, Pin-Male |
| 15 | Y00161 | B5733302 | | Clip, Ground |

| | | | |
|----|------------------------|--------------------------|--|
| 16 | Y00190 | | Connector-Receptacle |
| 17 | Y00189 | | Terminal, Spade |
| 18 | 58799 | | Connector-2 Circuit |
| 19 | 58800 | Not Available | CONNECTOR-3 CIRCUIT (3 CIRCUIT CONNECTOR) |
| 20 | 51291 | | Clip, Wire |
| 21 | 21903 | 211881 | Grommet, Cord Part Not Used- Gas Models Only |
| 22 | Y00121 | Not Available | SPADE TERMINAL(12 GAUGE) (1/4 INCH-(2) 18 GAUGE WIRES O |
| " | Y00119 | Not Available | SPADE TERMINAL(18 GAUGE) (1/4 INCH-(1) 18 GAUGE WIRE) |
| " | Y00222 | Not Available | TERMINAL,FEMALE-1/4 SP |
| 23 | Y00124 | | Spade Terminal (18 Gauge) (3/16 Inch-(1) 18 Gauge Wire- |
| " | Y00209 | | Spade Terminal (18 Gauge) (3/16 Inch-(2) 18 Gauge Wires- |
| " | 00156 | 00156SRE | 65br30/Fl |
| 24 | Y00163 | 285432 | Terminal |
| " | Y00165 | | Insulated Spade Terminal |
| 25 | 00110 | | No.10 18 Gauge Wire |
| " | Y00111 | | Ring Terminal No.10 No.10 18 Gauge Wires Or |
| 26 | Y00215 | | Barrel Insulated Spade |
| " | Y00214 | Not Available | BARREL INSULATED SPADE(18 GAUG (1/4 INCH-18 GAUGE WIRE) |
| 27 | Y00138 | | Male Tab Terminal 18 Gauge Wire) |
| " | Y00139 | Y00138 | Male Tab Terminal 18 Gauge Wire) |
| 28 | Y00115 | | Lock In Spade Terminal (18 Gaug (1/4 Inch-(1) 18 Gauge Wire) |
| " | 00122 | Not Available | (1/4 INCH-(2) 18 GAUGE WIRES O |
| 29 | 90789 | | Connector |
| 30 | 26301 | | Receptacle, Molex |
| 31 | 26302 | Not Available | PLUG,1 CIRCUIT |
| 32 | Y00114 | | Spade Terminal |

