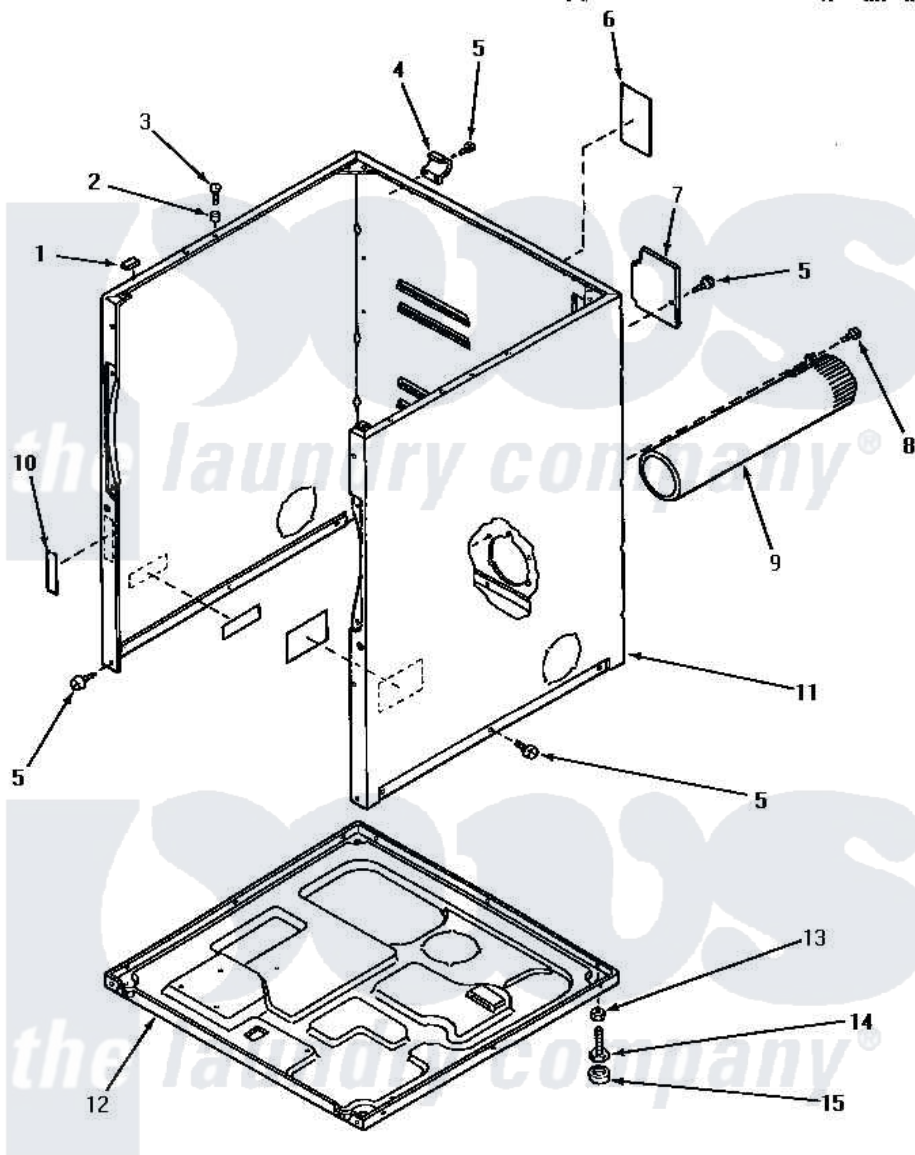


# Amana NG3319 02 - CABINET, EXHAUST DUCT & BASE



## CABINET, EXHAUST DUCT AND BASE

Amana [Residential Amana NG3319 Washer Parts](#) Parts Diagram 02 - CABINET, EXHAUST DUCT & BASE  
 Click on the part number to view part

| Item | Original Part Number   | Replaced By              | Status        | Part Description            |
|------|------------------------|--------------------------|---------------|-----------------------------|
| 1    | <a href="#">Y56128</a> |                          |               | Pad, Bumper                 |
| 2    | 56079                  | <a href="#">505187</a>   |               | Locator, Panel              |
| 3    | 32671                  | <a href="#">Y014874</a>  |               | Screw, Idler Arm And Sleeve |
| 4    | 60826                  |                          | Not Available | HINGE, TOP                  |
| 5    | 33562                  | <a href="#">27001200</a> |               | Screw                       |
| 6    | 56427                  |                          | Not Available | STICKER                     |
| 7    | <a href="#">60821</a>  |                          |               | Access Cover                |
| 8    | Y33561                 | <a href="#">489464</a>   |               | Screw                       |
| 9    | 56118                  |                          | Not Available | ASSY, EXHAUST DUCT          |
| 10   | 24903                  |                          | Not Available | STICKER,DISCONNECT POW      |
| 11   | 60813PW                |                          | Not Available | CABINET, WHITE              |
| "    | 60813PH                |                          | Not Available | CABINET, HARVEST GOLD       |
| "    | 60813PL                |                          | Not Available | CABINET, ALMOND             |
| 12   | <a href="#">60811</a>  |                          |               | Assembly, Base-Complete     |
| 13   | 20274                  | <a href="#">62739</a>    |               | Nut, Lock                   |
| 14   | Y52696                 | <a href="#">Y305086</a>  |               | Adjustable Leg And Nut      |

