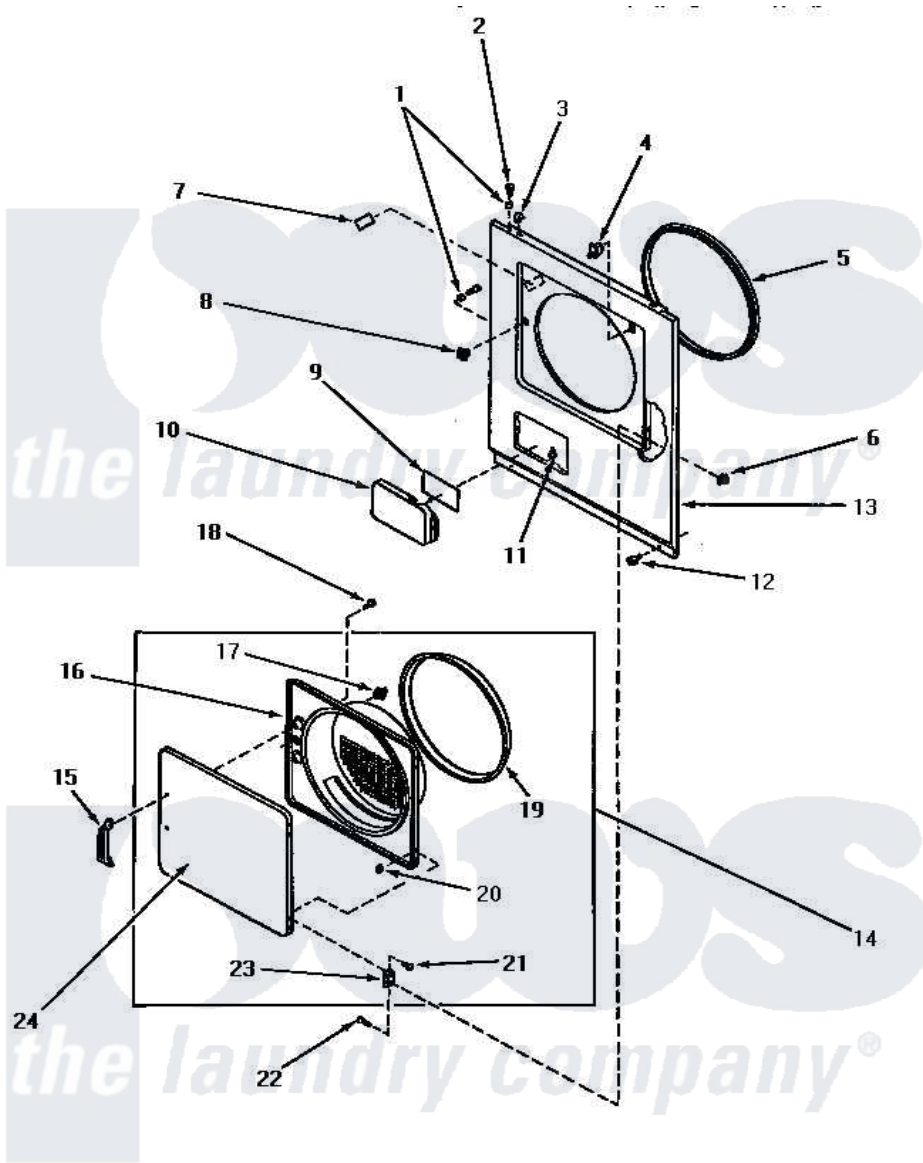


# Amana NG3319 08 - LOADING DOOR, FRONT PANELS & ACCESS DOOR



## LOADING DOOR, FRONT PANELS AND ACCESS DOOR

Amana [Residential Amana NG3319 Washer Parts](#) Parts Diagram 08 - LOADING DOOR, FRONT PANELS & ACCESS DOOR

[Click on the part number to view part](#)

Item	Original Part Number	Replaced By	Status	Part Description
1	56079	<a href="#">505187</a>		Locator, Panel
2	32671	<a href="#">Y014874</a>		Screw, Idler Arm And Sleeve
3	28835	<a href="#">22001650</a>		Fastener, Spring
4	57012	<a href="#">W10169313</a>		Switch-Dor
5	<a href="#">Y61380</a>			Seal, Front Panel
6	51236	<a href="#">488130</a>		Nut
7	<a href="#">58854</a>			Repl By 500281
8	54660	<a href="#">LA-1003</a>		Door Catch Kit
9	56427		Not Available	STICKER
10	60795L		Not Available	DOOR,ACCESS
"	<a href="#">60795W</a>			Door, Access
"	60795H		Not Available	DOOR,ACCESS
11	<a href="#">56534</a>			Barrel, Support
12	58637	<a href="#">27001200</a>		Screw
13	62421W		Not Available	PANEL, FRONT
"	62421L		Not Available	PANEL, FRONT

"	62421H		Not Available	PANEL,FRONT-GAS
14	62151H		Not Available	ASSY,DOOR
"	62151L		Not Available	ASSY,DOOR
"	62151W		Not Available	ASSY,DOOR
15	54068P	<a href="#">61925</a>		Pull Door Commercial Black
16	62152L	<a href="#">62152P</a>		Liner
"	62152H		Not Available	INNER DOOR PANEL, HARVEST GOLD
"	62152W		Not Available	LINER,DOOR
17	54661	<a href="#">LA-1003</a>		Door Catch Kit
18	Y33561	<a href="#">489464</a>		Screw
19	61379	<a href="#">61379P</a>		Door Seal
20	<a href="#">23407</a>			Nut, Speed-8A Tinn C15
21	52864	<a href="#">500226</a>		Screw, 8b-16 x 5/8 Tap
22	<a href="#">22649</a>			Screw, 8-32 X 13/32 FI
23	<a href="#">56045</a>			Hinge
24	62153L		Not Available	DOOR
"	62153W		Not Available	PANEL OUTER DOOR
"	<a href="#">62153H</a>			Door

