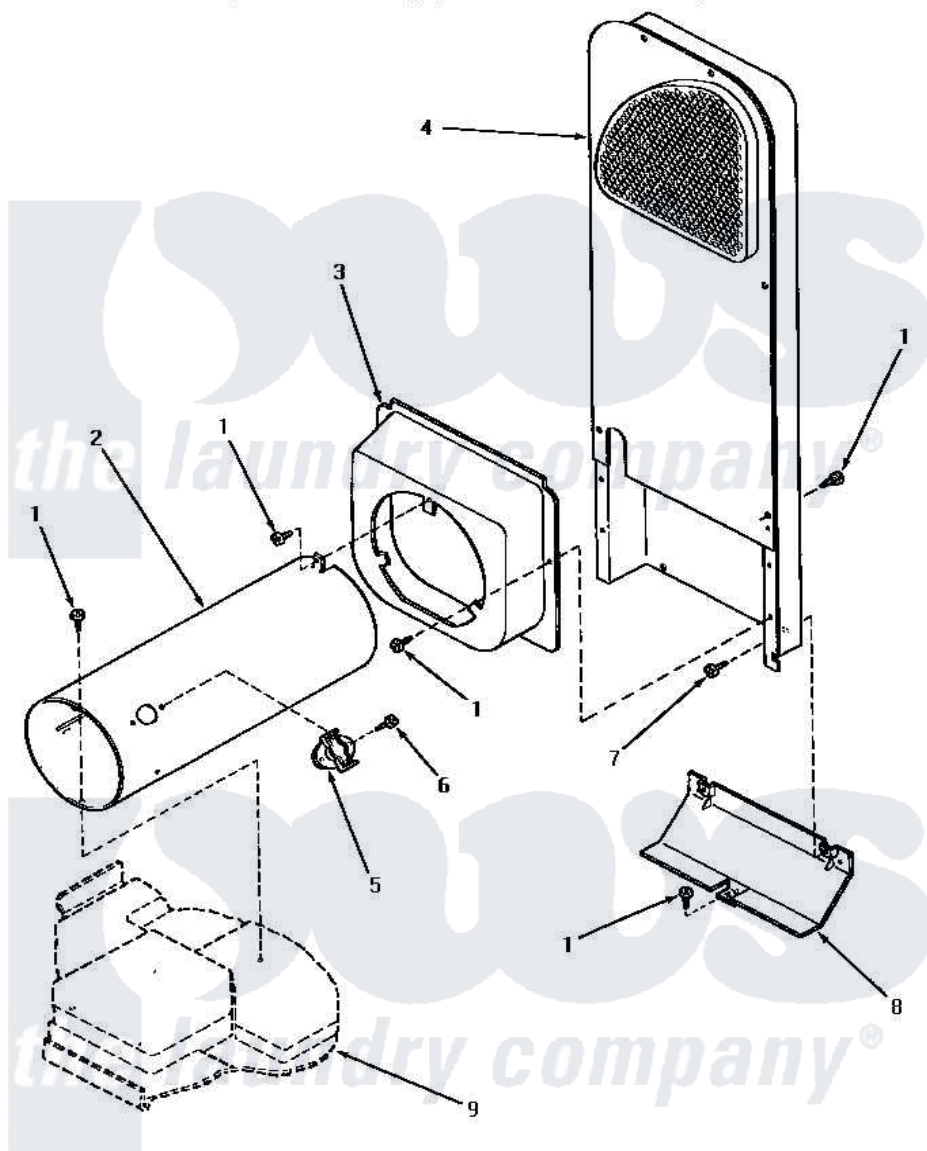


Amana NG4319 07 - HEATER BOX (THRU SN S6333959XM)



HEATER BOX (Gas Models through Serial No.S6333959XM)

Amana [Residential Amana NG4319 Washer Parts](#) Parts Diagram 07 - HEATER BOX (THRU SN S6333959XM)

[Click on the part number to view part](#)

| Item | Original Part Number | Replaced By | Status | Part Description |
|------|----------------------|--------------------------|---------------|-----------------------|
| 1 | 33562 | 27001200 | | Screw |
| 2 | 56240 | 08013801 | | Bracket |
| 3 | 56237 | 510101 | | Shroud Heat Duct |
| 4 | 61161P | 503605 | | Assembly, Heater Duct |
| 5 | 58366 | 489P3 | | Limit Thermostat |
| 6 | 23222 | 3177991 | | Screw |
| 7 | 51780 | 3390631 | | Screw, 10-16 X 3/8 |
| 8 | 60952 | | Not Available | SHIELD,HEAT DUCT |
| 9 | Y00000000 | | Not Available | SEE NOTE BASE |