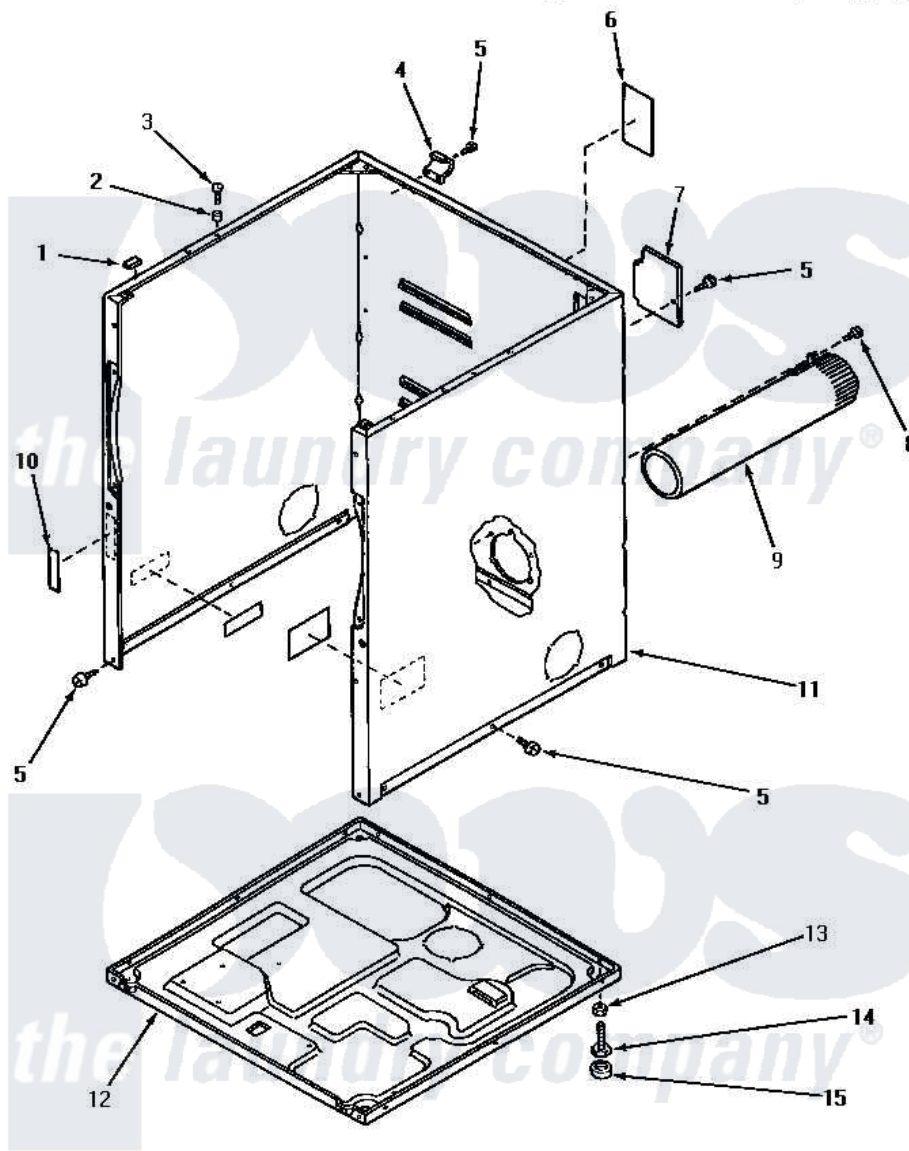


Amana NG4719 02 - CABINET, EXHAUST DUCT & BASE



CABINET, EXHAUST DUCT AND BASE

Amana [Residential Amana NG4719 Washer Parts](#) Parts Diagram 02 - CABINET, EXHAUST DUCT & BASE
 Click on the part number to view part

| Item | Original Part Number | Replaced By | Status | Part Description |
|------|------------------------|--------------------------|---------------|-----------------------------|
| 1 | Y56128 | | | Pad, Bumper |
| 2 | 56079 | 505187 | | Locator, Panel |
| 3 | 32671 | Y014874 | | Screw, Idler Arm And Sleeve |
| 4 | 60826 | | Not Available | HINGE, TOP |
| 5 | 33562 | 27001200 | | Screw |
| 6 | 56427 | | Not Available | STICKER |
| 7 | 60821 | | | Access Cover |
| 8 | Y33561 | 489464 | | Screw |
| 9 | 56118 | | Not Available | ASSY, EXHAUST DUCT |
| 10 | 24903 | | Not Available | STICKER,DISCONNECT POW |
| 11 | 60813PW | | Not Available | CABINET, WHITE |
| " | 60813PH | | Not Available | CABINET, HARVEST GOLD |
| " | 60813PL | | Not Available | CABINET, ALMOND |
| 12 | 60811 | | | Assembly, Base-Complete |
| 13 | 20274 | 62739 | | Nut, Lock |
| 14 | Y52696 | Y305086 | | Adjustable Leg And Nut |

