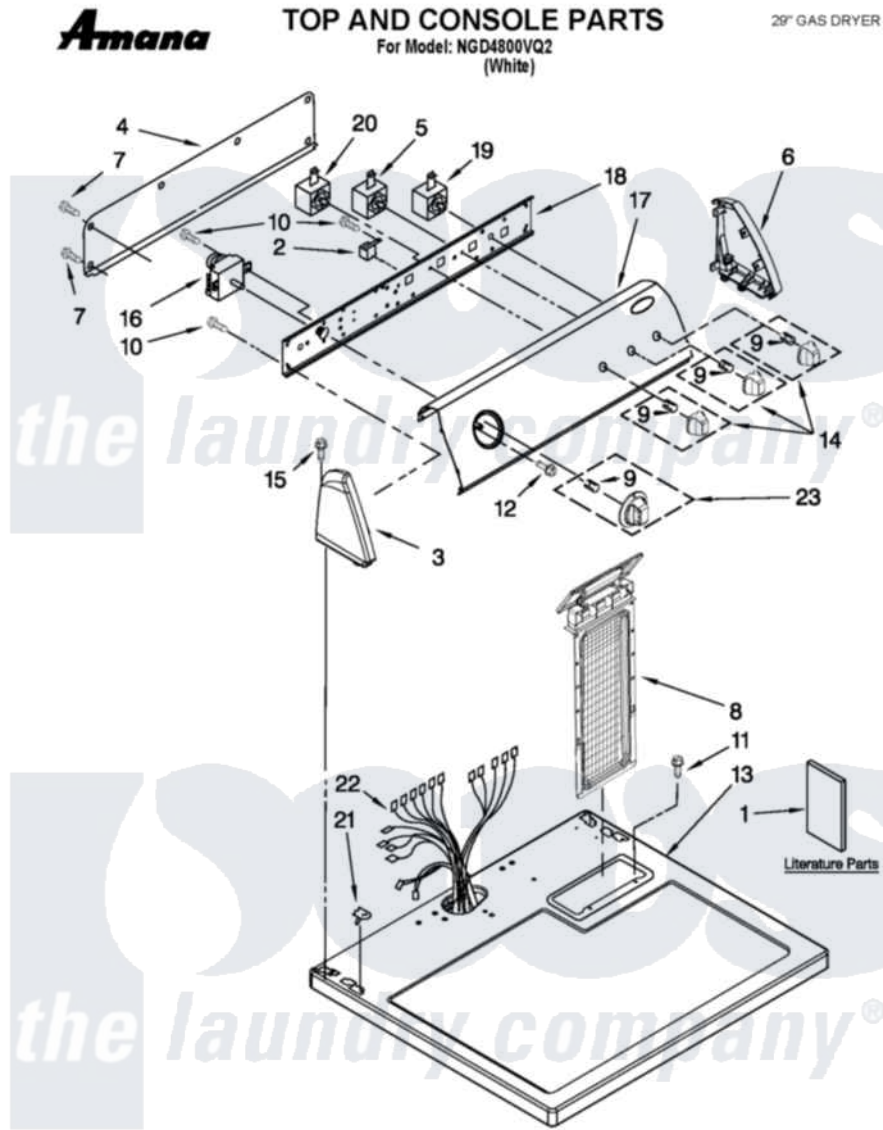


Amana NGD4800VQ2 01 - TOP AND CONSOLE PARTS



FOR ORDERING INFORMATION REFER TO PARTS PRICE LIST

1-12 Litho in U.S.A. (BMN)(bay)

1

Part No. W10474772 Rev. A

Amana [Residential Amana NGD4800VQ2 Dryer Parts](#) Parts Diagram 01 - TOP AND CONSOLE PARTS

[Click on the part number to view part](#)

| Item | Original Part Number | Replaced By | Status | Part Description |
|------|-------------------------|-------------------------|---------------|---|
| 1 | 3348629 | 90767 | | Screw, 8A X 3/8 HeX Washer Head Tapping |
| " | W10287572 | | Not Available | USE & CARE GUIDE |
| " | W10185985 | | Not Available | Wiring Diagram |
| 2 | 694419 | | | Mini-Buzzer |
| 3 | 8271365 | 279962 | | Endcap |
| 4 | 8274261 | | | Do-It-Yourself Repair Manuals |
| 5 | 3399639 | | | Switch, Rotary Temperature |
| 6 | 8271359 | 279962 | | Endcap |
| 7 | 693995 | | | Screw, Hex Head |
| 8 | 8558463 | | | HANdle And Lint Screen Assembly |
| 9 | 8536939 | | | Clip, Knob |
| 10 | 3348629 | 90767 | | Screw, 8A X 3/8 HeX Washer Head Tapping |
| 11 | 688983 | 487240 | | Screw, For Mtg. Service Capacitor |
| 12 | 8533951 | 3400859 | | Screw, Grounding |

| | | | |
|----|---------------------------|-------------------------|-----------------------|
| 13 | 8557930 | 8563985 | Top |
| 14 | W10196503 | | Knob, Control |
| 15 | 388326 | | Screw, 8-18 X 1.25 |
| 16 | W10185981 | | Timer Assembly |
| 17 | W10086735 | | Panel Control |
| 18 | 8271418 | | Bracket, Control |
| 19 | 3398095 | | Switch, Push-To-Start |
| 20 | 3405156 | | Switch, Rotary |
| 21 | 357213 | | Nut, Push-In |
| 22 | W10278762 | | Harness, Wiring |
| 23 | W10196507 | | Timer-Knob Assembly |

