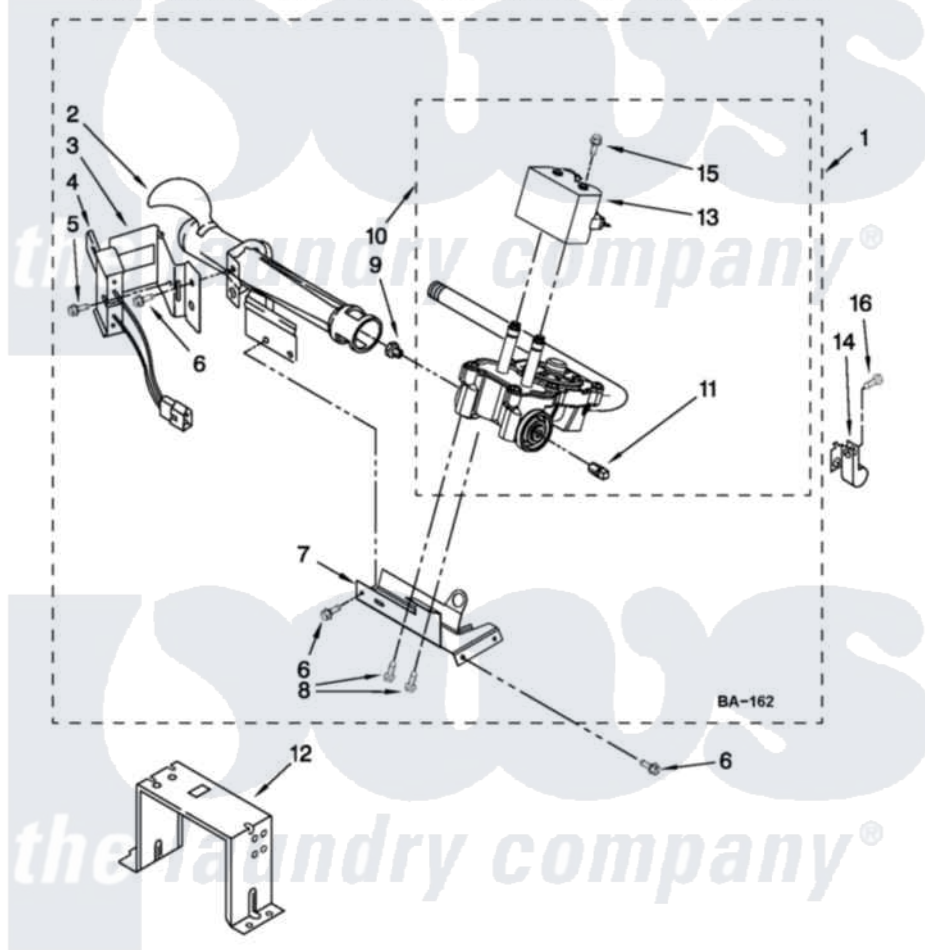


# Amana NGD4800VQ2 04 - W10336852 BURNER ASSEMBLY

## W10336852 BURNER ASSEMBLY

For Model: NGD4800VQ2  
(White)

USE WITH TYPE 1 - NATURAL, TYPE 2 - MIXED,  
AND TYPE 4 - LIQUEFIED PROPANE AND BUTANE GASES



FOR ORDERING INFORMATION REFER TO PARTS PRICE LIST

W10474772

7

Amana [Residential Amana NGD4800VQ2 Dryer Parts](#) Parts Diagram 04 - W10336852 BURNER ASSEMBLY  
Click on the part number to view part

Item	Original Part Number	Replaced By	Status	Part Description
1	W10336852	<a href="#">W10465748</a>		Burner-Gas
2	688617	<a href="#">693140</a>		Burner
3	<a href="#">694298</a>			Bracket, Ignitor
4	686590	<a href="#">279311</a>		Ignitor
5	<a href="#">3393909</a>			Screw, 8-32 X 7/8
6	343641	<a href="#">681414</a>		Screw, 10AB X 1/2
7	693986			Base, Burner
8	<a href="#">3387057</a>			Screw, 10-16 X 1/2 Orifice, Burner
9	<a href="#">234826</a>			Orifice, Burner Type 1
10	W10304604	<a href="#">W10500695</a>		Valve-Gas
11	<a href="#">W10295523</a>			Plug, Pipe
12	<a href="#">3389889</a>			Bracket, Support
13	<a href="#">W10328463</a>			Coil, 60 Hz
14	<a href="#">3978776</a>			Bracket, Gas Pipe Switch
15	<a href="#">326049536</a>			Screw, Coil
16	3390647	<a href="#">488729</a>		Screw

