

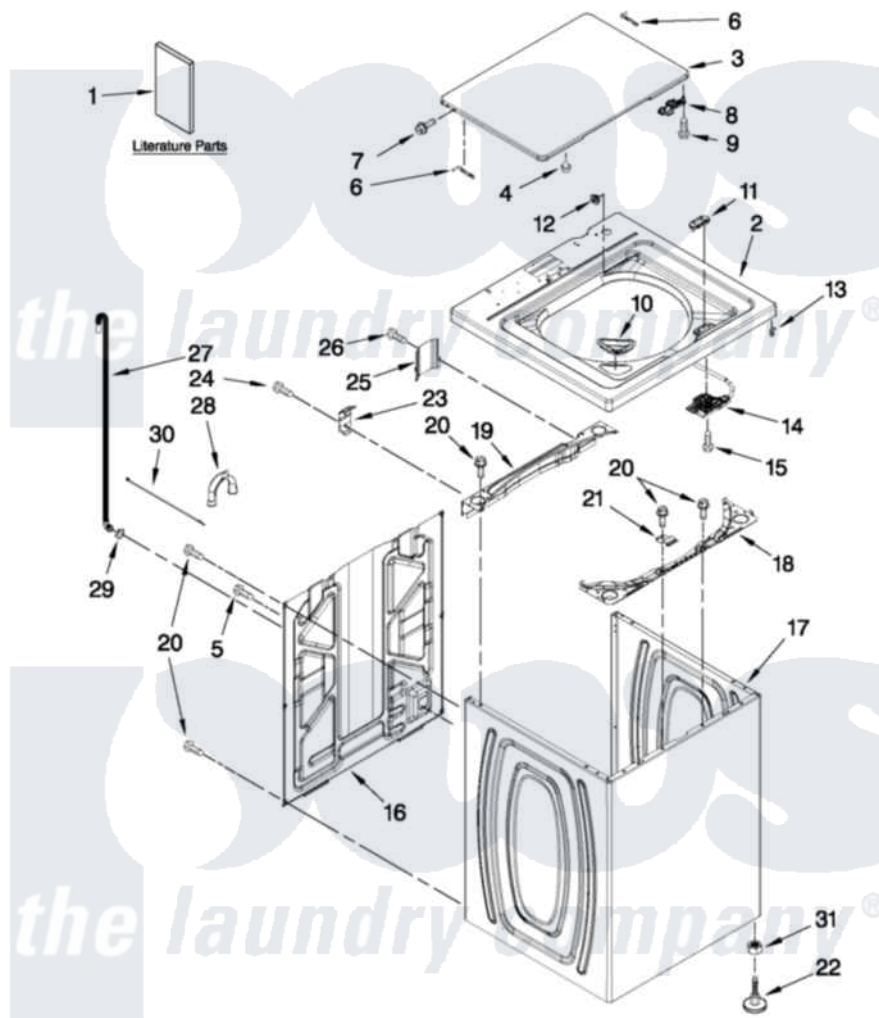
Amana NTW4601XQ0 01 - TOP AND CABINET PARTS

Amana

TOP AND CABINET PARTS

AUTOMATIC WASHER

For Model: NTW4601XQ0
(White)



FOR ORDERING INFORMATION REFER TO PARTS PRICE LIST

8-11 Litho in U.S.A. (JLP) (eeb)

1

Part No. W10447162 Rev. A

Amana [Residential Amana NTW4601XQ0 Washer Parts](#) Parts Diagram 01 - TOP AND CABINET PARTS

[Click on the part number to view part](#)

| Item | Original Part Number | Replaced By | Status | Part Description |
|------|---------------------------|---------------------------|---------------|------------------------------|
| 1 | W10240509 | | | Installation Instructions |
| " | W10420400 | | Not Available | USE & CARE GUIDE |
| " | W10280489 | | Not Available | INSTALLATION (TECH SHEET) |
| " | W10062973 | | Not Available | ENERGY GUIDE |
| 2 | W10251299 | | | Top |
| 3 | W10338625 | | | Lid |
| 4 | 9724509 | | | Bumper, Lid |
| 5 | 9740848 | | | Screw, Mixing Valve Mounting |
| 6 | 91770 | | | Hinge, Lid |
| 7 | W10119872 | W10119828 | | Screw, Lid Hinge Mounting |
| 8 | W10240513 | | | Strike, Lid Lock |
| 9 | W10273971 | | | Screw, 6-19 X 1/2 |
| 10 | W10192089 | | | Dispenser, Bleach |
| 11 | W10392041 | | | Bezel, Lid Lock |
| 12 | 21258 | | | Bearing, Lid Hinge |
| 13 | 90016 | | | Clip, Pressure Switch Hose |

| | | | |
|----|---------------------------|---------------------------|-----------------------------------|
| 14 | W10238287 | W10404050 | Latch |
| 15 | 8281163 | | Screw, Dispenser Housing Mounting |
| 16 | W10250884 | | Panel Rear |
| 17 | W10251994 | W10338650 | Cabinet |
| 18 | W10215098 | | Brace, Cabinet Top Front |
| 19 | W10215099 | | Brace, Cabinet Top Rear |
| 20 | 1157158 | 489069 | Xxscrew, 10-12 X 1/2 |
| 21 | W10248088 | | Lock, Top |
| 22 | W10335586 | W10397767 | Foot Assembly, Leveling |
| 23 | W10215102 | | Hinge, Top |
| 24 | W10142728 | 3370225 | Screw |
| 25 | W10215139 | | Cover, Harness |
| 26 | 3400076 | | Screw, Bracket Mounting |
| 27 | W10221546 | | Hose, Outer Drain Assembly |
| 28 | W10280024 | | U-Bend, Drain Hose |
| 29 | 356138 | | Clamp, Hose |
| 30 | W10339879 | | Tie, Cable |
| 31 | 3359452 | | Nut, Lock |

