

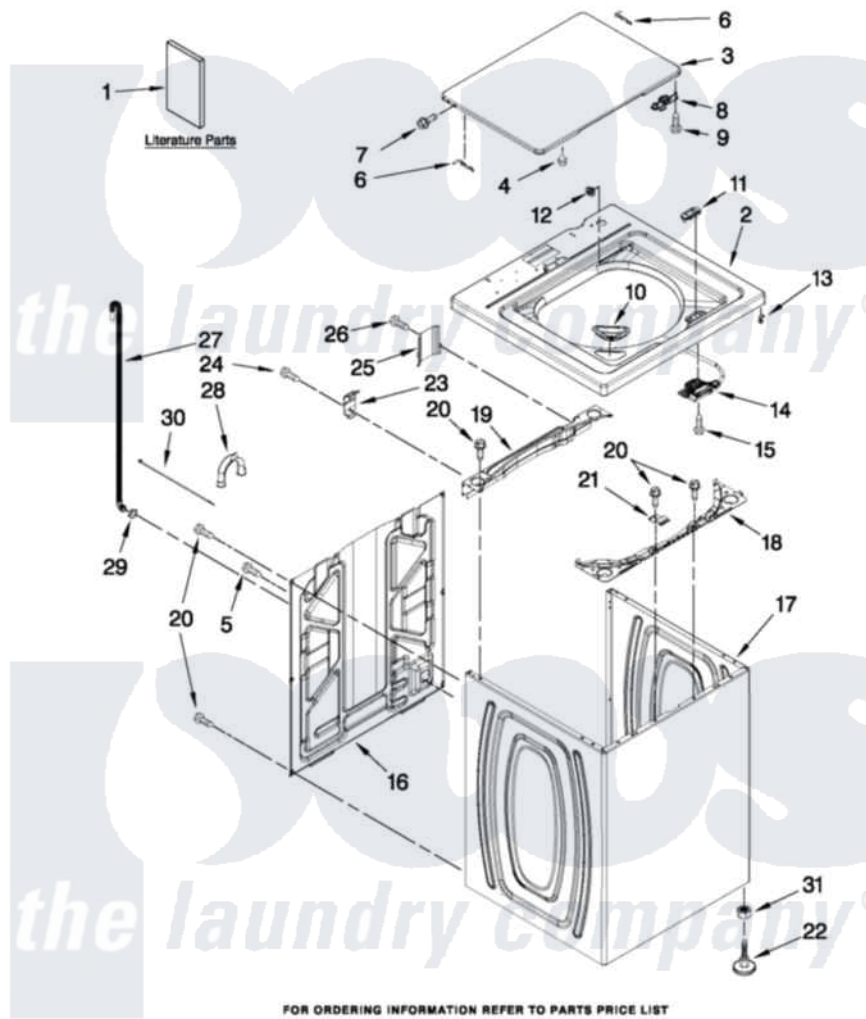
# Amana NTW4610YQ0 01 - TOP AND CABINET PARTS



## TOP AND CABINET PARTS

AUTOMATIC WASHER

For Model: NTW4610YQ0  
(White)



FOR ORDERING INFORMATION REFER TO PARTS PRICE LIST

04-12 Litho in U.S.A. (JLP) (ire)

1

Part No. W10496926 Rev. A

Amana [Residential Amana NTW4610YQ0 Washer Parts](#) Parts Diagram 01 - TOP AND CABINET PARTS

[Click on the part number to view part](#)

Item	Original Part Number	Replaced By	Status	Part Description
1	<a href="#">W10240509</a>			Installation Instructions
"	W10420472		Not Available	USE & CARE GUIDE
"	W10468340		Not Available	TECH SHEET
"	W10062978		Not Available	ENERGY GUIDE
2	<a href="#">W10251299</a>			Top
3	W10251302	<a href="#">W10338625</a>		Lid
4	<a href="#">9724509</a>			Bumper, Lid
5	<a href="#">9740848</a>			Screw, Mixing Valve Mounting
6	<a href="#">91770</a>			Hinge, Lid
7	W10119872	<a href="#">W10119828</a>		Screw, Lid Hinge Mounting
8	<a href="#">W10240513</a>			Strike, Lid Lock
9	<a href="#">W10273971</a>			Screw, 6-19 X 1/2
10	<a href="#">W10192089</a>			Dispenser, Bleach
11	<a href="#">W10392041</a>			Bezel, Lid Lock
12	<a href="#">21258</a>			Bearing, Lid Hinge
13	<a href="#">90016</a>			Clip, Pressure Switch Hose

14	<a href="#">W10238287</a>	<a href="#">W10404050</a>	Latch
15	<a href="#">8281163</a>		Screw, Dispenser Housing Mounting
16	<a href="#">W10250884</a>		Panel Rear
17	W10251994	<a href="#">W10338650</a>	Cabinet
18	<a href="#">W10215098</a>		Brace, Cabinet Top Front
19	<a href="#">W10215099</a>		Brace, Cabinet Top Rear
20	1157158	<a href="#">489069</a>	Xxscrew, 10-12 X 1/2
21	<a href="#">W10248088</a>		Lock, Top
22	<a href="#">W10397767</a>		Foot Assembly, Leveling
23	<a href="#">W10215102</a>		Hinge, Top
24	W10142728	<a href="#">3370225</a>	Screw
25	<a href="#">W10215139</a>		Cover, Harness
26	<a href="#">3400076</a>		Screw, Bracket Mounting
27	<a href="#">W10221546</a>		Hose, Outer Drain Assembly
28	<a href="#">W10280024</a>		U-Bend, Drain Hose
29	<a href="#">356138</a>		Clamp, Hose
30	<a href="#">W10339879</a>		Tie, Cable
31	<a href="#">3359452</a>		Nut, Lock

