

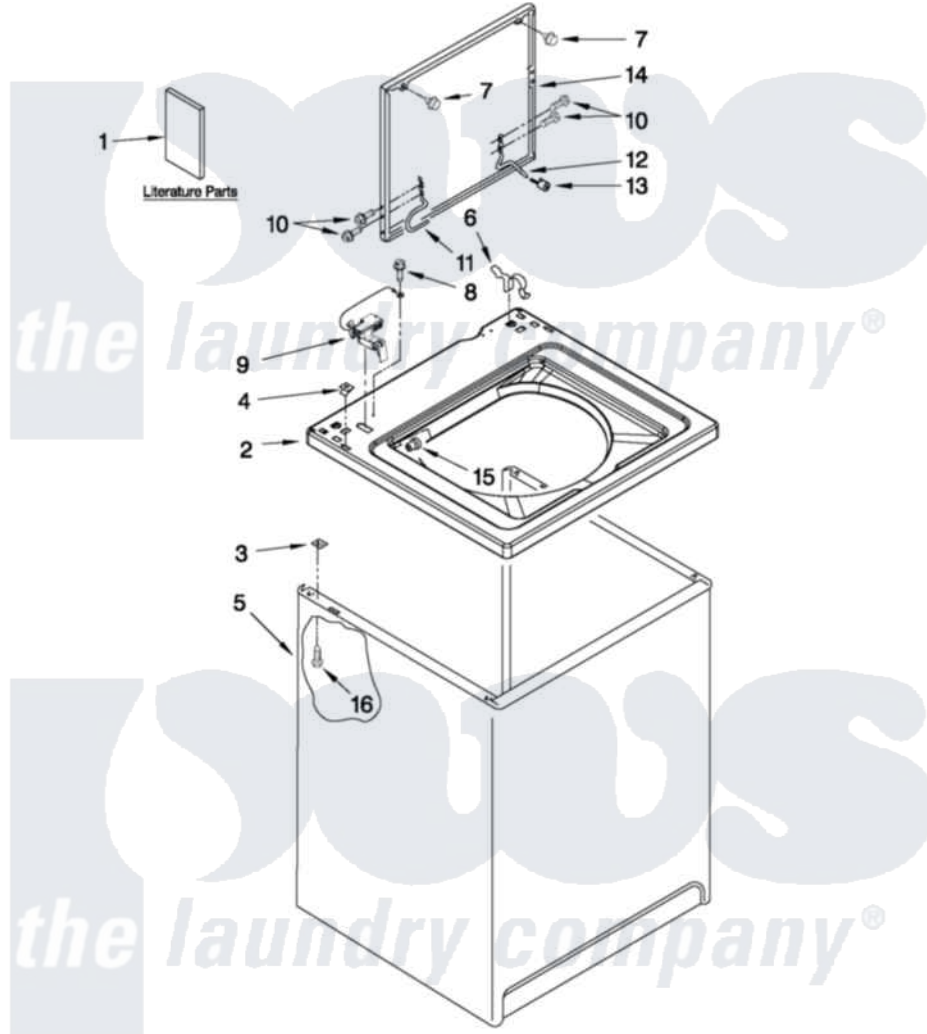
# Amana NTW5100XQ0 01 - TOP AND CABINET PARTS



## TOP AND CABINET PARTS

For Model: NTW5100XQ0  
(White)

AUTOMATIC  
WASHER



FOR ORDERING INFORMATION REFER TO PARTS PRICE LIST

10-11 Litho in U.S.A. (JLP) (eeb)

1

Part No. W10384508 Rev. B

Amana [Residential Amana NTW5100XQ0 Washer Parts](#) Parts Diagram 01 - TOP AND CABINET PARTS

[Click on the part number to view part](#)

Item	Original Part Number	Replaced By	Status	Part Description
1	W10200890		Not Available	INSTRUCTIONS, INSTALLATION (ENGLISH/FRENCH)
"	W10200891		Not Available	INSTRUCTIONS, INSTALLATION (SPANISH)
"	W10347262		Not Available	USE & CARE GUIDE (ENGLISH/FRENCH)
"	W10368957		Not Available	USE & CARE GUIDE (SPANISH)
"	W10344457		Not Available	USE & CARE GUIDE (ENERGY GUIDE)
"	W10362944		Not Available	USE & CARE GUIDE (WIRING DIAGRAM)
2	<a href="#">8318068</a>			Top
3	62750			Spacer, Cabinet To Top (4)
4	<a href="#">357213</a>			Nut, Push-In
5	<a href="#">63424</a>			Cabinet
6	<a href="#">62780</a>			Clip, Top And Cabinet And Rear Panel

7	<a href="#">9724509</a>		Bumper, Lid
8	<a href="#">3351614</a>		Screw, Gearcase Cover Mounting
9	<a href="#">8318084</a>		Switch, Lid
10	<a href="#">W10119828</a>		Screw, Lid Hinge Mounting
11	<a href="#">W10225135</a>		Hinge, Lid
12	<a href="#">54583</a>		Hinge, Lid
13	<a href="#">19119</a>		Bumper, Lid Hinge
14	8541774	<a href="#">W10193857</a>	Lid
15	<a href="#">21258</a>		Bearing, Lid Hinge
16	<a href="#">3390631</a>		Screw, 10-16 X 3/8

