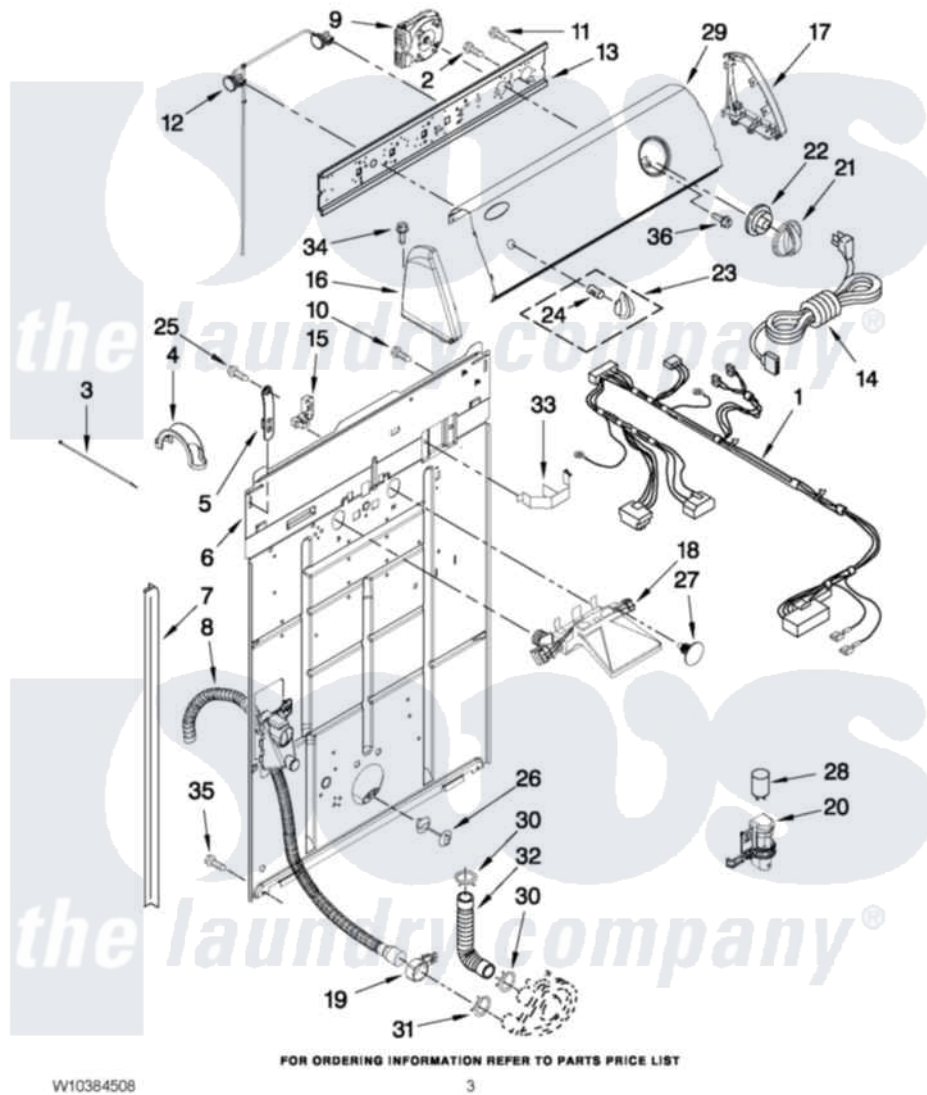


Amana NTW5100XQ0 02 - CONTROLS AND REAR PANEL PARTS

CONTROLS AND REAR PANEL PARTS

For Model: NTW5100XQ0
(White)



Amana [Residential Amana NTW5100XQ0 Washer Parts](#) Parts Diagram 02 - CONTROLS AND REAR PANEL PARTS
Click on the part number to view part

Item	Original Part Number	Replaced By	Status	Part Description
1	W10362919			Harness, Wiring
2	3400073			Screw, Ground
3	W10339879			Tie, Cable
4	8577378			U-Bend, Drain Hose
5	8568314			Strap, Console
6	W10194450			Panel, Rear
7	62747			Pad, Rear Panel
8	W10189267			Drain Hose Assembly
9	W10363657			Timer, Control
10	3351614			Screw, Gearcase Cover Mounting
11	90767			Screw, 8A X 3/8 HeX Washer Head Tapping
12	W10403282			Switch, Pressure Assembly
13	3948608			Bracket, Control
14	8578842	285800		Cord-Power
15	3952821	285777		Relief-Str

16	8271365	279962	Endcap
17	8271359	279962	Endcap
18	W10140918		Valve, Water Inlet W/Vacuum Break
19	8541668		Clamp, Hose
20	8318046		Clip, Capacitor
21	W10196505		Knob, Timer
22	W10196506		Dial, Timer
23	W10196503		Knob, Control
24	8536939		Clip, Knob
25	9740848		Screw, Mixing Valve Mounting
26	8519200		Support, Rear Panel
27	W10000080	8282566	Clip, Pine Tree
28	8572717		Capacitor, Motor Start
29	W10339550		Panel, Console
30	3363366	616099	Clamp
31	8317496	285655	Clamp, Hose
32	3951449	285871	Hose
33	8055003		Clip, Harness And Pressure Switch
34	388326		Screw, 8-18 X 1.25
35	62863	3390631	Screw, 10-16 X 3/8
36	3400818		Screw, Timer Mounting

