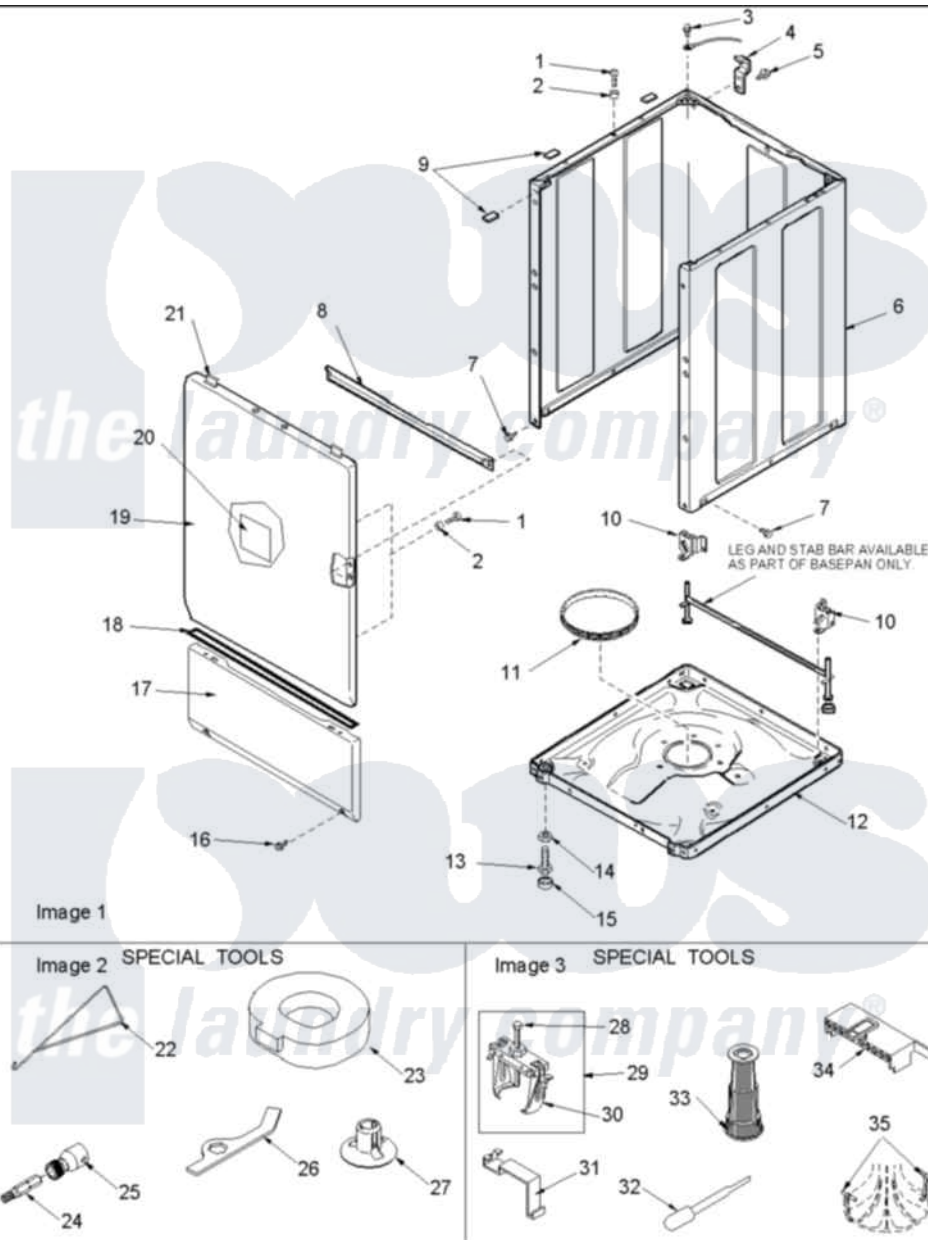


# Amana SLW110RAW (BOM: PSLW110RAW) 02 - Base, Cabinet, Front and Special Tools



Amana Residential Amana SLW110RAW (BOM: PSLW110RAW) Washer Parts Parts Diagram 02 - Base, Cabinet, Front and Special Tools  
 Click on the part number to view part

Item	Original Part Number	Replaced By	Status	Part Description
1	32671	<a href="#">Y014874</a>		Screw, Idler Arm And Sleeve
2	<a href="#">505187</a>			Locator, Panel
3	<a href="#">20530</a>			Screw, 10-24 x 3/8 Hex
4	<a href="#">500003</a>			Hinge, Top
5	40064801	<a href="#">3390631</a>		Screw, 10-16 X 3/8
6	40076401WP	<a href="#">37001284</a>		Cabinet As Pack
7	40038201	<a href="#">27001200</a>		Screw
8	56486		Not Available	BRACE, TOP
9	<a href="#">Y56128</a>			Pad, Bumper
10	<a href="#">40031501</a>			Bracket, Self Leveling
11	<a href="#">40037401</a>			Ring, Friction
12	40031201P	<a href="#">27001226</a>		Base Lev
13	40039001	<a href="#">22003428</a>		Leg, Adjustable
14	<a href="#">40038101</a>			Nut, Leg
15	<a href="#">40016001</a>			Foot, Rubber

16	<a href="#">40034101</a>		Screw, No.12bx1/2
17	<a href="#">40045301WP</a>		Panel, Access
18	<a href="#">40083101</a>		Tape, Foam
19	<a href="#">40035401WP</a>		Panel, Front
20	40068901	<a href="#">22001817</a>	Sheet, Sound Damper
21	56080	<a href="#">22001650</a>	Fastener, Spring
22	289P4	<a href="#">321P4</a>	Hook, Spring
23	40068201	<a href="#">27001185</a>	Brace- Shp
24	<a href="#">282P4</a>		T25 Tamper Resistant Bit
25	<a href="#">24161</a>		Torx Bit Holder
26	<a href="#">306P4</a>		Hex Wrench
27	40047301	<a href="#">27001185</a>	Brace- Shp
28	<a href="#">294P4B</a>		Drive Bell Bolt
29	<a href="#">294P4</a>		Bell Tool
30	294P5A	Not Available	DRIVE BELL ARMS
31	<a href="#">273P4</a>		Tub Cover Gasket Tool
32	<a href="#">283P4</a>		Terminal Extractor Tool
33	<a href="#">293P4</a>		Seal Tool
34	<a href="#">34677</a>		10 Circuit Plug
35	<a href="#">254P4P</a>		Agitator Hooks

