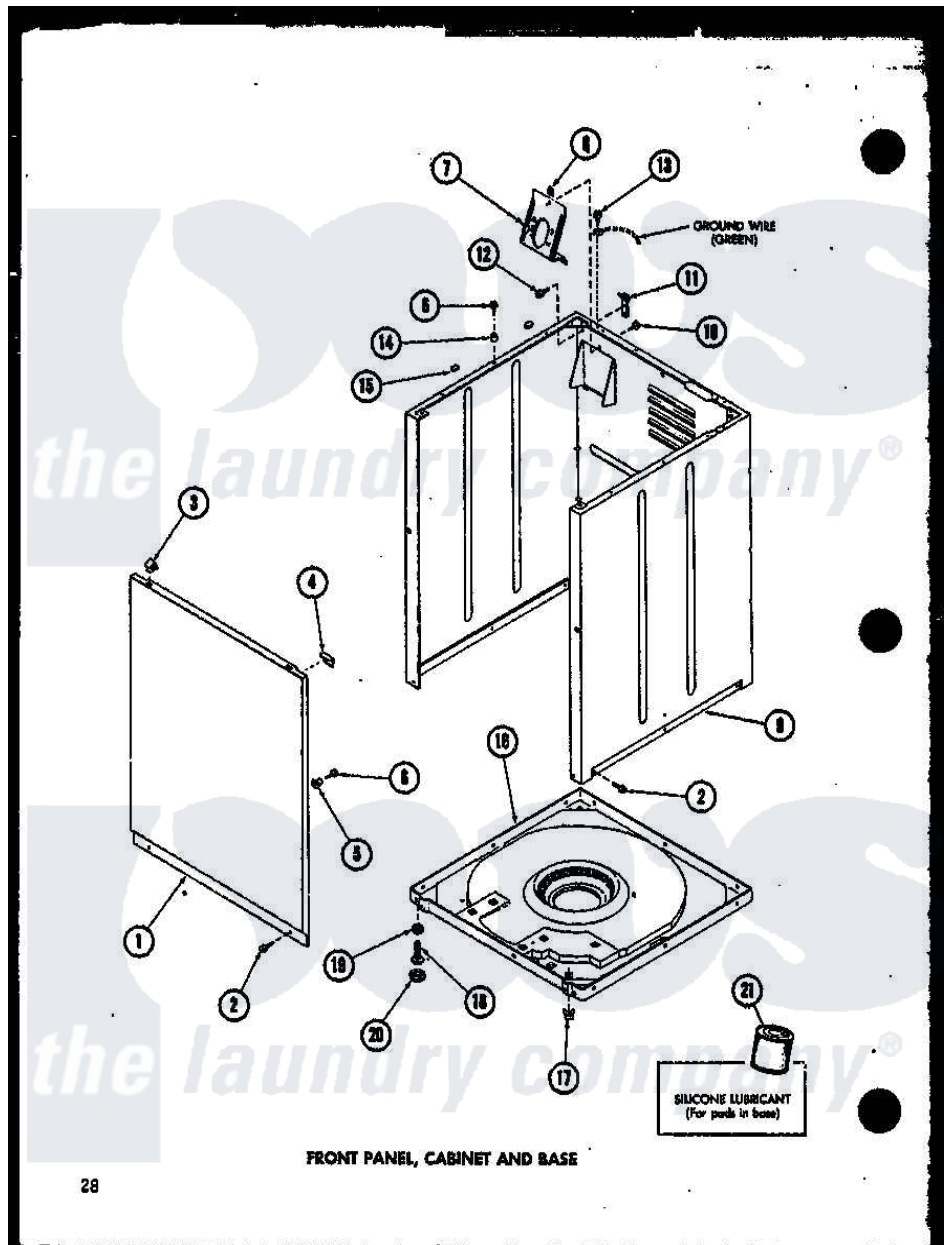


Amana TAA200 (BOM: P7575108W) 04 - FRONT PANEL



Amana Residential Amana TAA200 (BOM: P7575108W) Washer Parts Parts Diagram 04 - FRONT PANEL
 Click on the part number to view part

Item	Original Part Number	Replaced By	Status	Part Description
1	R0603052	32708LP		Panel, Front
"	R0603015		Not Available	FRONT PANEL WHITE
2	R0600029	27001200		Screw
3	R0601520	22001650		Fastener, Spring
4	R0603526		Not Available	PROTECTOR
5	R0603525		Not Available	LOCATER LUG
6	R0600031	Y014874		Screw, Idler Arm And Sleeve
7	R0605527	39407		Bracket, Valve
8	R0601007	54038		NUt, Speed U-Type
9	R0603078	38612WP		Kit-Service
"	R0603080	38612LP		Kit Service Cabinet
10	R0600009		Not Available	SCREW
11	R0605528	Y27103		Hinge, Hold-Down Lug
12	R0600032	3390631		Screw, 10-16 X 3/8
13	R0600033	489464		Screw
14	R0603524	505187		Locator, Panel

15	R0606519	Y56128	Pad, Bumper
16	R0603017	31653P	Assembly, Base-Complete-G90
17	R0601015		Caged Nut
18	R0600030	22003428	Leg, Adjustable
19	R0601016	40038101	Nut, Leg
20	R0606518	40016001	Foot, Rubber
21	R0608002	26594P	Grease, Silicone - 2 Oz Tube

