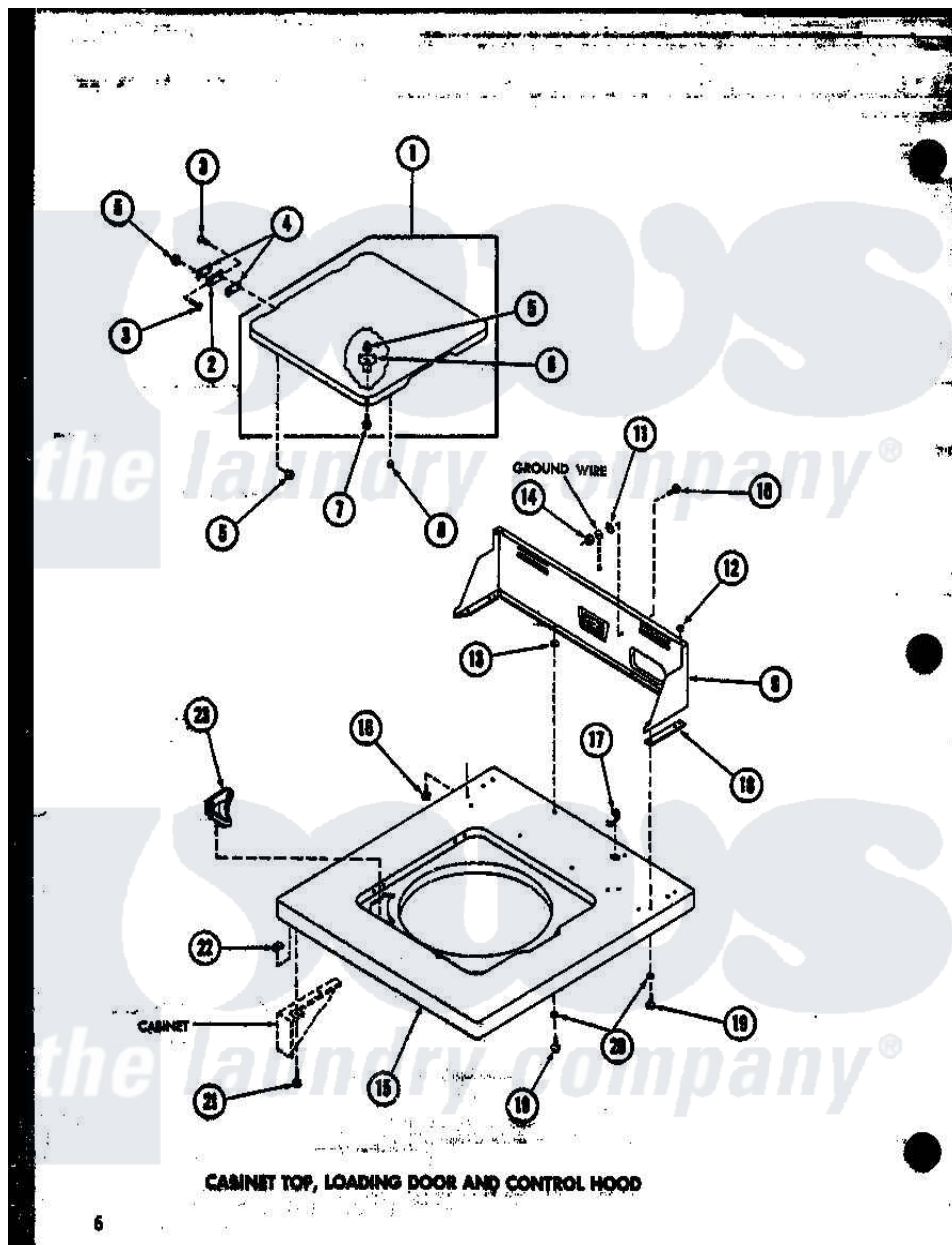


Amana TAA300 (BOM: P7575114W) 03 - CABINET TOP



Amana Residential Amana TAA300 (BOM: P7575114W) Washer Parts Parts Diagram 03 - CABINET TOP
 Click on the part number to view part

| Item | Original Part Number | Replaced By | Status | Part Description |
|------|--------------------------|--------------------------|---------------|----------------------------|
| 1 | R0603046 | | Not Available | LOADING DOOR |
| " | R0603008 | | Not Available | LOADING DOOR |
| 2 | R0605502 | 21583 | | Hinge |
| 3 | R0600007 | 22649 | | Screw, 8-32 X 13/32 FI |
| 4 | R0604502 | 21584 | | Gasket |
| 5 | R0601002 | 21752 | | Nut, 8-32 Hex Brilock |
| 6 | R0603504 | | | Actuator, Door Switch |
| 7 | R0600008 | 26769 | | Assembly, Screw And Washer |
| 8 | R0606501 | 40038001 | | Bumper |
| 9 | R0603086 | | Not Available | CONTROL HOOD |
| " | R0603088 | | Not Available | CONTROL HOOD |
| 10 | R0600006 | 20267 | | Screw, 10-24 X 3/8 Round |
| 11 | R0600503 | | Not Available | LOCKWASHER |
| 12 | R0601004 | 24522 | | Nut, Speed-8ab-18 C1995 |
| 13 | R0600502 | | Not Available | WASHER |
| 14 | R0601003 | | Not Available | NUT |

| | | | |
|----|----------|---------------------------|---|
| 15 | R0603010 | Not Available | CABINET TOP WHITE |
| " | R0603050 | Not Available | CABINET TOP ALMOND |
| 16 | R0600009 | Not Available | SCREW |
| 17 | R0601502 | 211881 | Grommet, Cord Part Not Used- Gas Models Only |
| 18 | R0604501 | Not Available | END GASKET |
| 19 | R0600004 | W10116760 | Screw |
| 20 | R0600501 | 20493 | Washer, 11/64 ID x 3/8 OD |
| 21 | R0600010 | Not Available | SCREW |
| 22 | R0601005 | 36020 | Nut-10-24 |
| 23 | R0603503 | Not Available | BLEACH DISPENSER |

Howes
the laundry company[®]

Howes
the laundry company[®]

Howes
the laundry company[®]