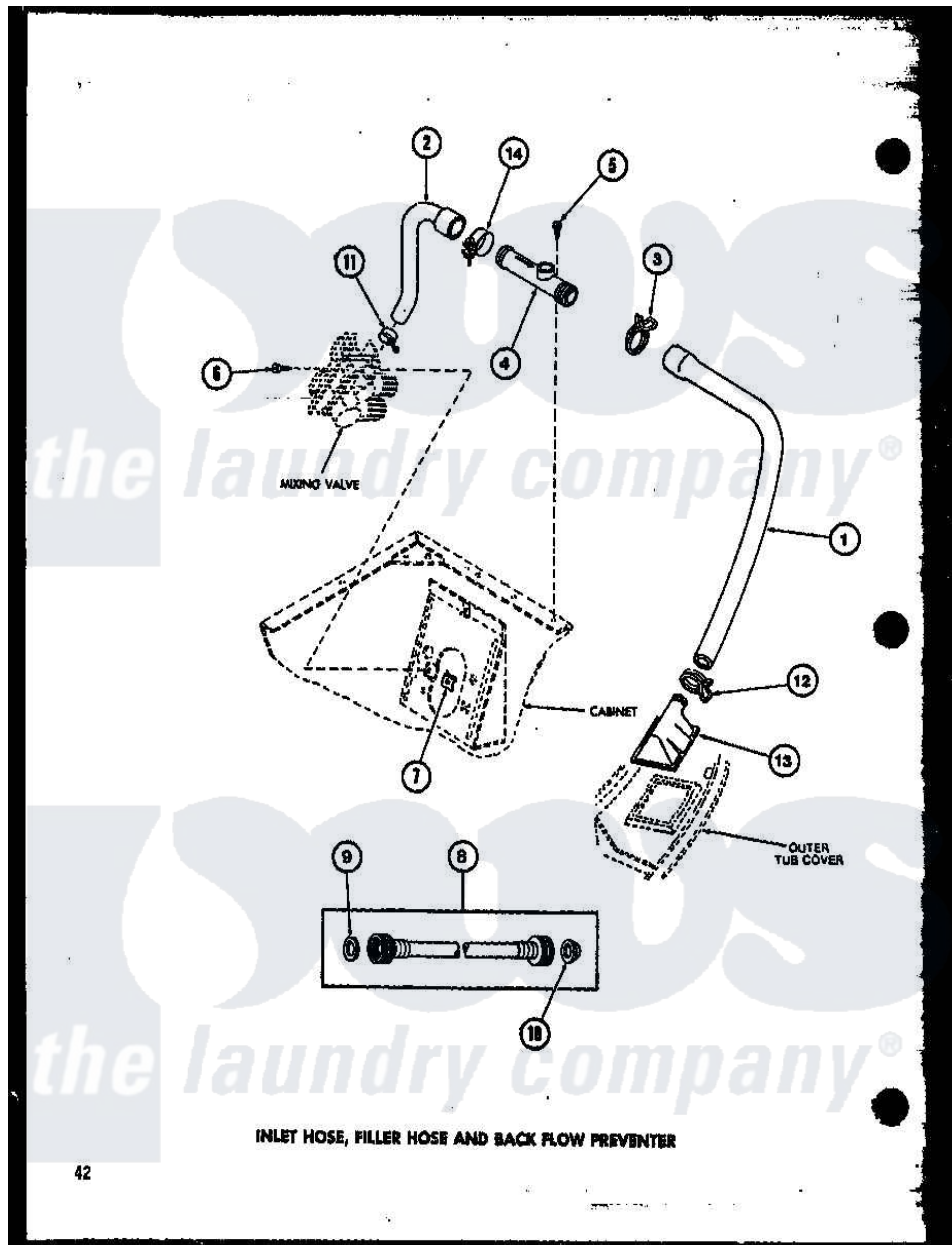


Amana TAA400 (BOM: P7704002W) 06 - INLET HOSE



Amana Residential Amana TAA400 (BOM: P7704002W) Washer Parts Parts Diagram 06 - INLET HOSE  
 Click on the part number to view part

Item	Original Part Number	Replaced By	Status	Part Description
1	R0606544		Not Available	HOSE
2	R0606503	<a href="#">27183</a>		Hose, Mixing Valve
3	R0601541	<a href="#">285655</a>		Clamp, Hose
4	R0605507	<a href="#">34280</a>		Assembly, Backflow Prevento
5	R0600004	<a href="#">W10116760</a>		Screw
6	R0600009		Not Available	SCREW
7	R0601007	<a href="#">54038</a>		NUt, Speed U-Type
8	R0606504	<a href="#">202860</a>		Inlet Hose Assembly
9	R0600505	<a href="#">Y013783</a>		Washer, Inlet Hose
10	R0600504	<a href="#">22002960</a>		Strainer, Washer Inlet
11	R0601505	<a href="#">285655</a>		Clamp, Hose
12	R0601542	<a href="#">29210</a>		Hose Clamp
13	R0603542		Not Available	HEAD, WATER INLET
14	R0601505	<a href="#">285655</a>		Clamp, Hose