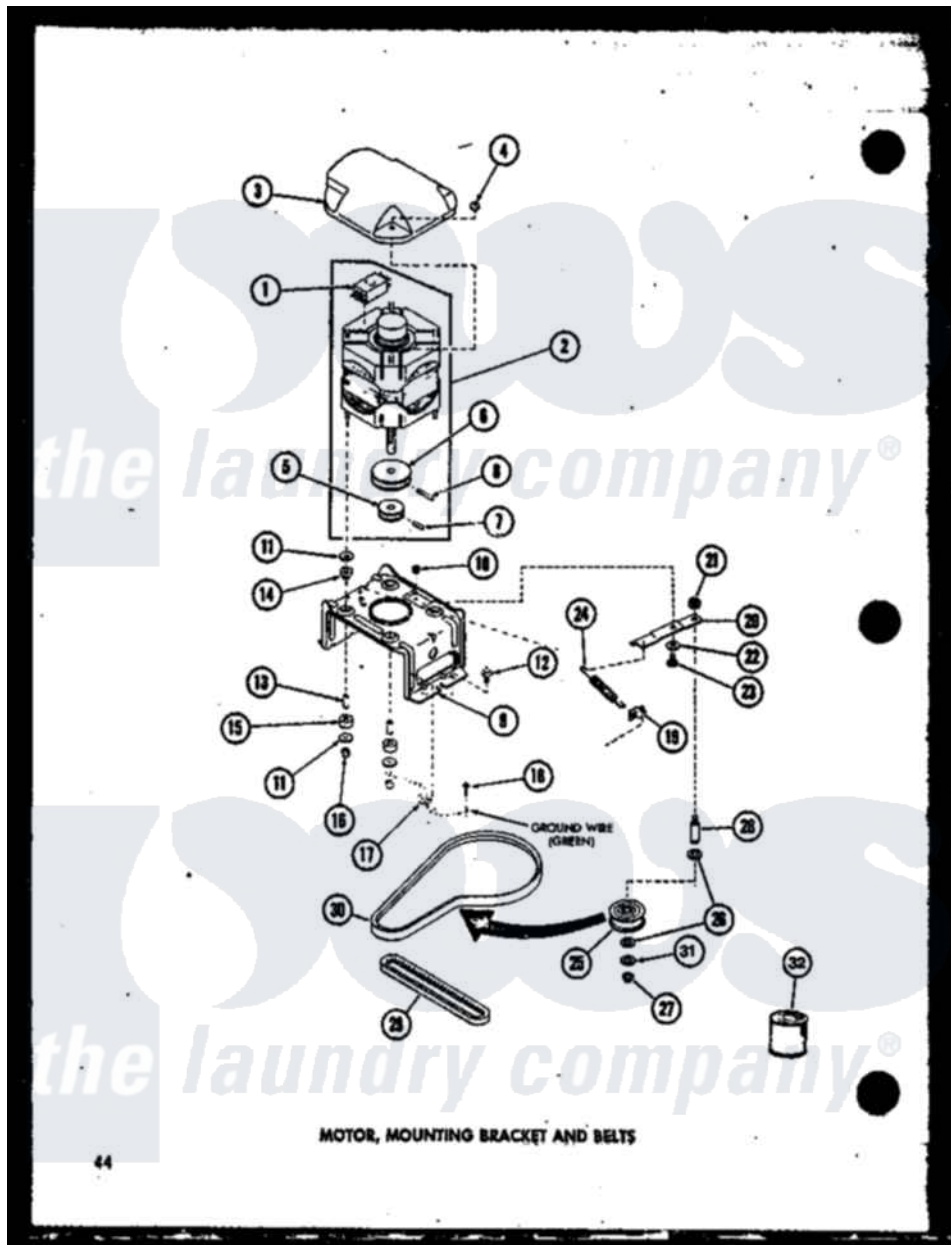


Amana TAA600 (BOM: P7575110W) 08 - MOTOR



Amana Residential Amana TAA600 (BOM: P7575110W) Washer Parts Parts Diagram 08 - MOTOR
 Click on the part number to view part

| Item | Original Part Number | Replaced By | Status | Part Description |
|------|----------------------|--------------------------|---------------|--------------------------|
| 1 | R0602508 | | Not Available | 24139 SWITCH |
| " | R0602510 | | Not Available | MOTOR SWITCH |
| 2 | R0607001 | 27179P | | Motor-Drve |
| 3 | R0603011 | 27136 | | Shield, Motor |
| 4 | R0601008 | 27201 | | Locknut |
| 5 | R0609501 | | Not Available | PULLEY, MOTOR |
| 6 | R0609501 | | Not Available | PULLEY, MOTOR |
| 7 | R0601508 | 10416 | | Pin, Roll |
| 8 | R0601509 | | Not Available | ROLL PIN |
| 9 | R0605514 | | Not Available | MOTOR MTG BRACKET |
| 10 | R0601011 | 27001225 | | Nut, Jam Mid Lock 1/4-20 |
| 11 | R0600510 | | Not Available | WASHER |
| 12 | R0600018 | 27157 | | Screw, 10-24 X 5/8 Spec |
| 13 | R0603511 | | Not Available | SPACER |
| 14 | R0606509 | | Not Available | RUBBER MTG |
| 15 | R0606510 | | Not Available | RUBBER MTG |

| | | | |
|----|-----------|--------------------------|-------------------------|
| 16 | YR0601010 | 23604 | Nut, Hex 10-32 Lock |
| 17 | R0601507 | B5733302 | Clip, Ground |
| 18 | R0600017 | Not Available | SCREW |
| 19 | R0601539 | 28849 | Clip, Spring |
| 20 | R0605586 | 40041002 | Lever, Idler |
| 21 | R0601031 | 358160 | Nut |
| 22 | R0600506 | 40054701 | Washer |
| 23 | R0600016 | 40038901 | Screw, 1/4-20 |
| 24 | R0605539 | 37366 | Spring, Idler |
| 25 | R0609508 | Not Available | PULLEY, IDLER |
| 26 | R0600552 | Y29443 | Washer, Felt |
| 27 | R0601527 | 23748 | Ring, Retaining |
| 28 | R0605538 | 28802 | Shaft, Idler |
| 29 | R0606507 | 27155 | Belt, Pump |
| 30 | R0606539 | 28808 | Belt, Agitate And Spin |
| 31 | R0600526 | 52549 | Washer, 501 ID X3/4 Odx |
| 32 | R0608011 | Not Available | HI TEMP LUBE |

