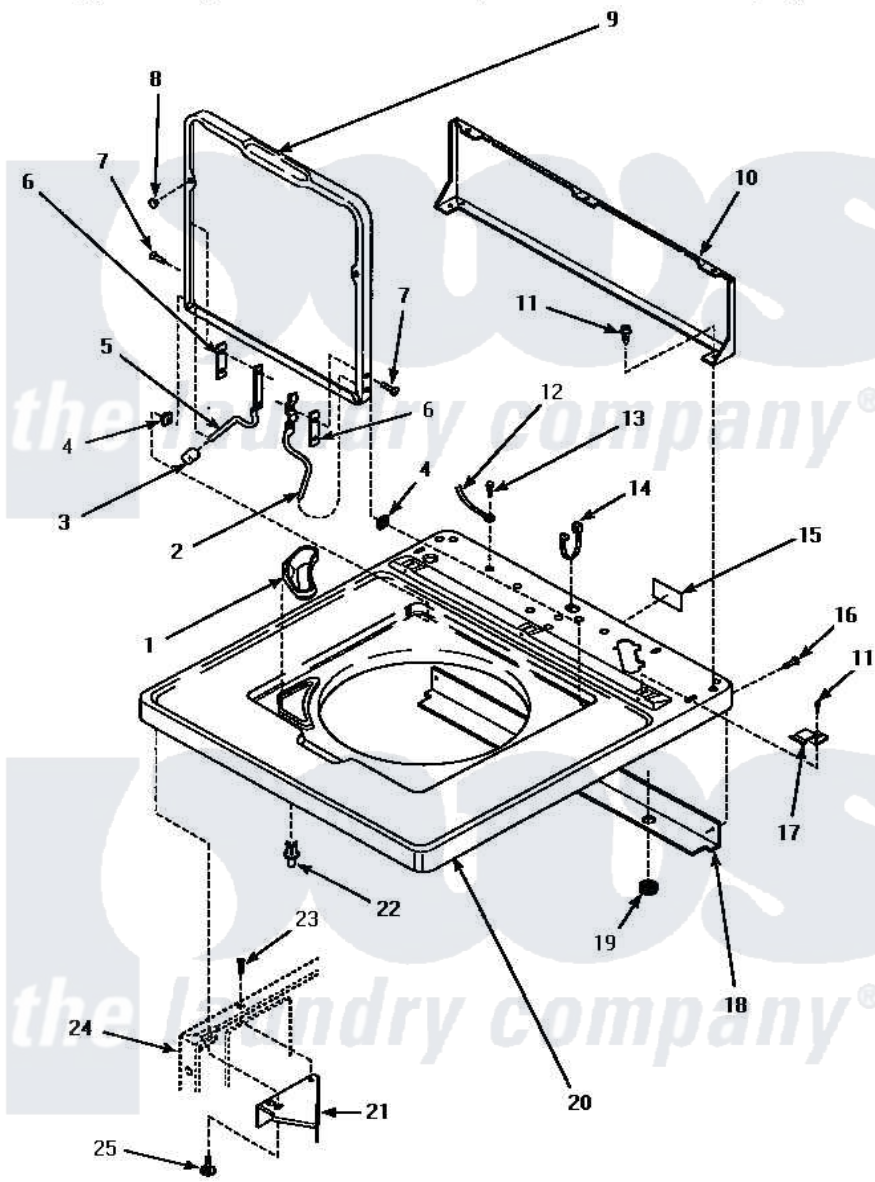


Amana TW3502G (BOM: P1163209W G) 04 - CAB TOP/LOADING DR & CTRL HOOD REAR PAN



CABINET TOP, LOADING DOOR AND CONTROL HOOD REAR PANEL

Amana Residential Amana TW3502G (BOM: P1163209W G) Washer Parts Parts Diagram 04 - CAB TOP/LOADING DR & CTRL HOOD REAR PAN

[Click on the part number to view part](#)

Item	Original Part Number	Replaced By	Status	Part Description
1	34776		Not Available	DISPENSER,BLEACH
2	36437			Hinge, Lid R
3	35112		Not Available	BUMPER,HINGE-STOP
4	33446	40008201		Bushing, Hinge
5	36438			Hinge, Lid Left
6	34338			Gasket, Hinge
7	34337	W10119828		Screw, Lid Hinge Mounting
8	21685	40038001		Bumper
9	33541WP			Lid, W/Instructions
"	33541LP			Lid, W/Instructions
"	33541HP		Not Available	LID,W/INSTRUCTIONS
10	34903		Not Available	PANEL, BACK HOOD (USE 37782)
11	23962	W10116760		Screw
12	XXXXXXXXXX		Not Available	SEE NOTE GROUND WIRE,

12	10000000	Not Available	GREEN
13	52909		Screw, 10B-16 X 1/2 HeX
14	21903	211881	Grommet, Cord Part Not Used- Gas Models Only
15	24903	Not Available	STICKER,DISCONNECT POW
17	35887	40063901	Clip, Hold Down
20	34902HP	Not Available	ASSY, TOP-DOMESTIC W/BLEACH
"	34902LP		Assembly, Top-Amana
"	34902WP	Not Available	ASSY, TOP-AMANA
21	36034		Bracket, Director-Module
22	56534		Barrel, Support
23	36035	Not Available	SCREW, 8-18X3/8 PHIL FLT HD
24	Y00000000	Not Available	SEE NOTE CABINET
25	Y31644	27001200	Screw

