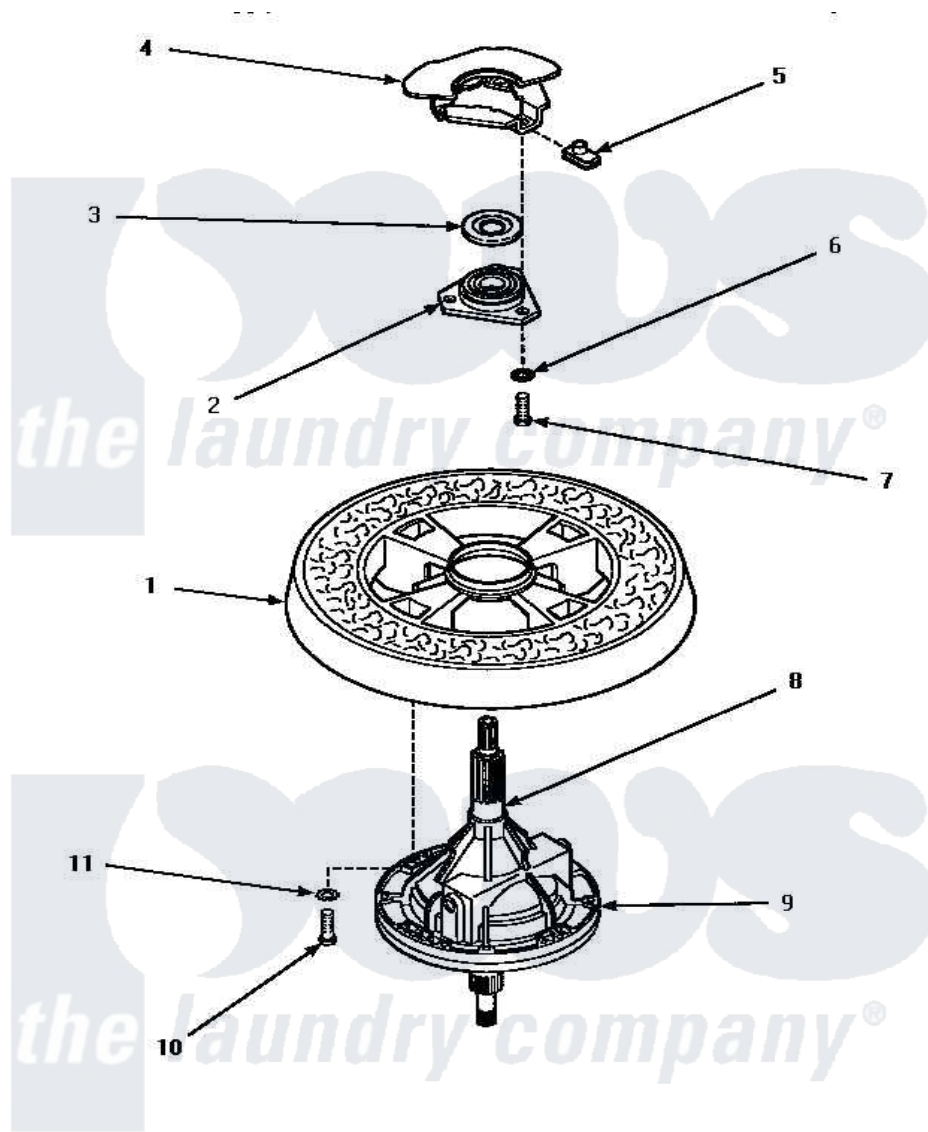


**Amana TW3502G (BOM: P1163209W G) 18 - TRANSMISSION ASSY & BALANCE RING**



**TRANSMISSION ASSEMBLY AND BALANCE RING**

Amana Residential Amana TW3502G (BOM: P1163209W G) Washer Parts Parts Diagram 18 - TRANSMISSION ASSY & BALANCE RING

Click on the part number to view part

Item	Original Part Number	Replaced By	Status	Part Description
1	34731		Not Available	ASSY,BALANCE RING-COMPL
2	27182	<a href="#">40004201P</a>		Main Bearing Assembly
3	<a href="#">27187</a>			Flinger
4	Y00000000		Not Available	SEE NOTE OUTER TUB
5	<a href="#">27222</a>			Nut, Retainer 5/16-18
6	<a href="#">04366</a>			Lockwasher, 5/16intshkp
7	01355		Not Available	SCREW
8	<a href="#">27604P</a>			Never-Seeze 1 Oz Tube
9	Y34526	<a href="#">34526P</a>		Assembly, Transmission
10	27200		Not Available	CAP SCREW
11	<a href="#">02431</a>			Lockwasher, 1/4 Ext Shk