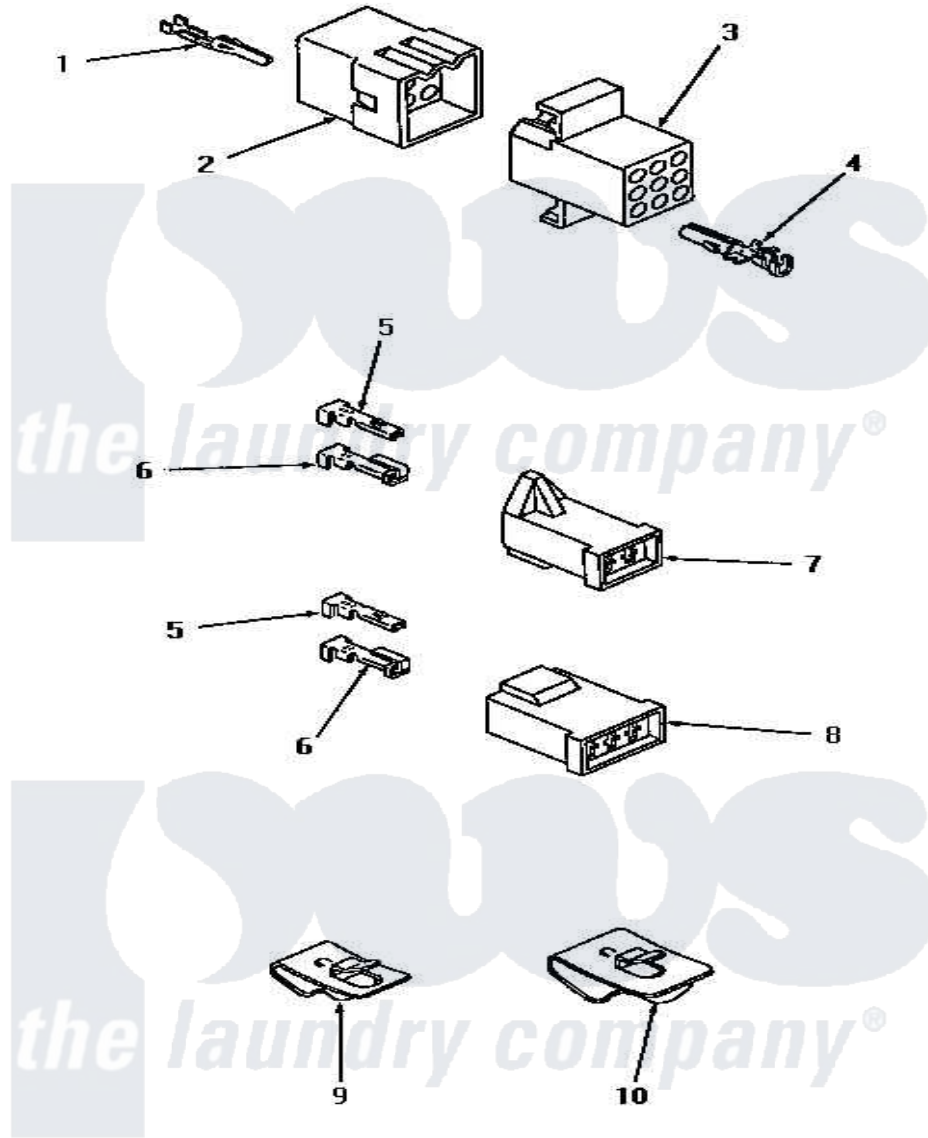


# Amana UG8091 25 - TERMINALS (GAS DRYER)



## TERMINALS

Amana [Residential Amana UG8091 Washer Parts](#) Parts Diagram 25 - TERMINALS (GAS DRYER)

[Click on the part number to view part](#)

Item	Original Part Number	Replaced By	Status	Part Description
"	NOTE:		Not Available	USE SHIM WASHER AS REQUIRED TO OBTAIN A MINIMUM OF .005 INCH TO A MAXIMUM OF .015 INCH CLEARANCE BETWEEN COUPLING AND FLANGED BEARING.
1	<a href="#">Y00116</a>			Terminal, Pin-Male
2	<a href="#">23033</a>			Plug, 9 Circuit
3	<a href="#">26163</a>			Receptacle, 9 Circuit
4	Y00117	<a href="#">5011-XX</a>		093 Female Socket
5	<a href="#">Y00189</a>			Terminal, Spade
6	<a href="#">Y00190</a>			Connector-Receptacle
7	<a href="#">58799</a>			Connector-2 Circuit
8	58800		Not Available	CONNECTOR-3 CIRCUIT (3 CIRCUIT CONNECTOR)
9	<a href="#">20309</a>			Cable Clip
10	21312	<a href="#">51291</a>		Clip, Wire