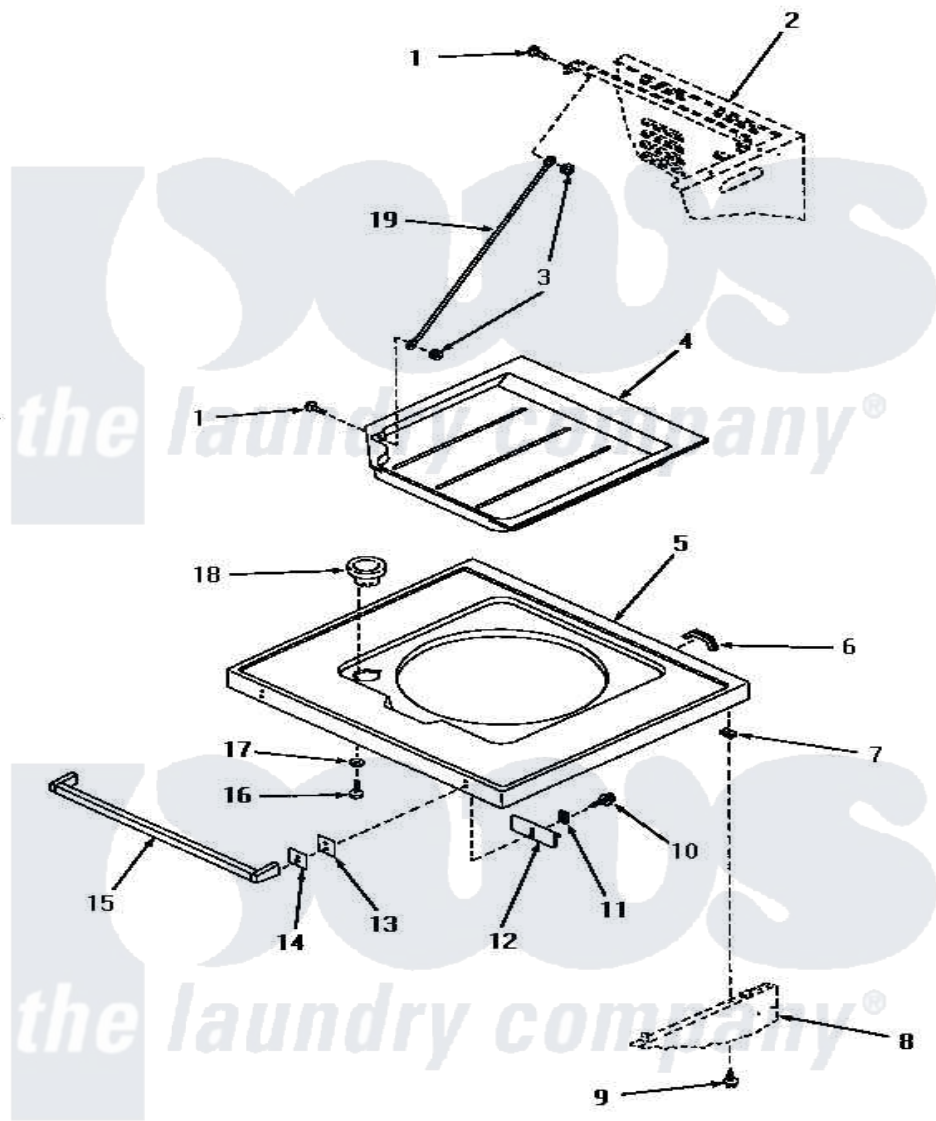


Amana UG8290 03 - CABINET TOP & LID



CABINET TOP AND LID

Amana [Residential Amana UG8290 Washer Parts](#) Parts Diagram 03 - CABINET TOP & LID

[Click on the part number to view part](#)

Item	Original Part Number	Replaced By	Status	Part Description
1	30268			Screw 10-32X1/2 Nylon
2	Y00000000		Not Available	SEE NOTE WASHER OUTER CABINET
3	23604			Nut, Hex 10-32 Lock
4	29959			Lid, S/T Top
5	30137L		Not Available	CABINET TOP, ALMOND
"	30137W		Not Available	CABINET TOP, WHITE
6	30182		Not Available	GASKET,RUBBER FLEX-U-S
7	20249	36020		Nut-10-24
8	Y00000000		Not Available	SEE NOTE WASHER INNER CABINET
9	23008			Screw, 10-24 X 3/4 Sems
10	30300		Not Available	HEX HEAD SCREW
11	30326			Plate, Screw
12	30327			Plate, Handle-Rear
13	30329			Pad, Handle
14	30328			Plate, Handle-Front

15	30297		Handle Swd
16	29759	Not Available	SCREW
17	21033	597T023P01	Receptacle Fuse
18	29758	Not Available	DISPENSER,BLEACH
19	30267	Not Available	NO LONGER AVAILABLE

