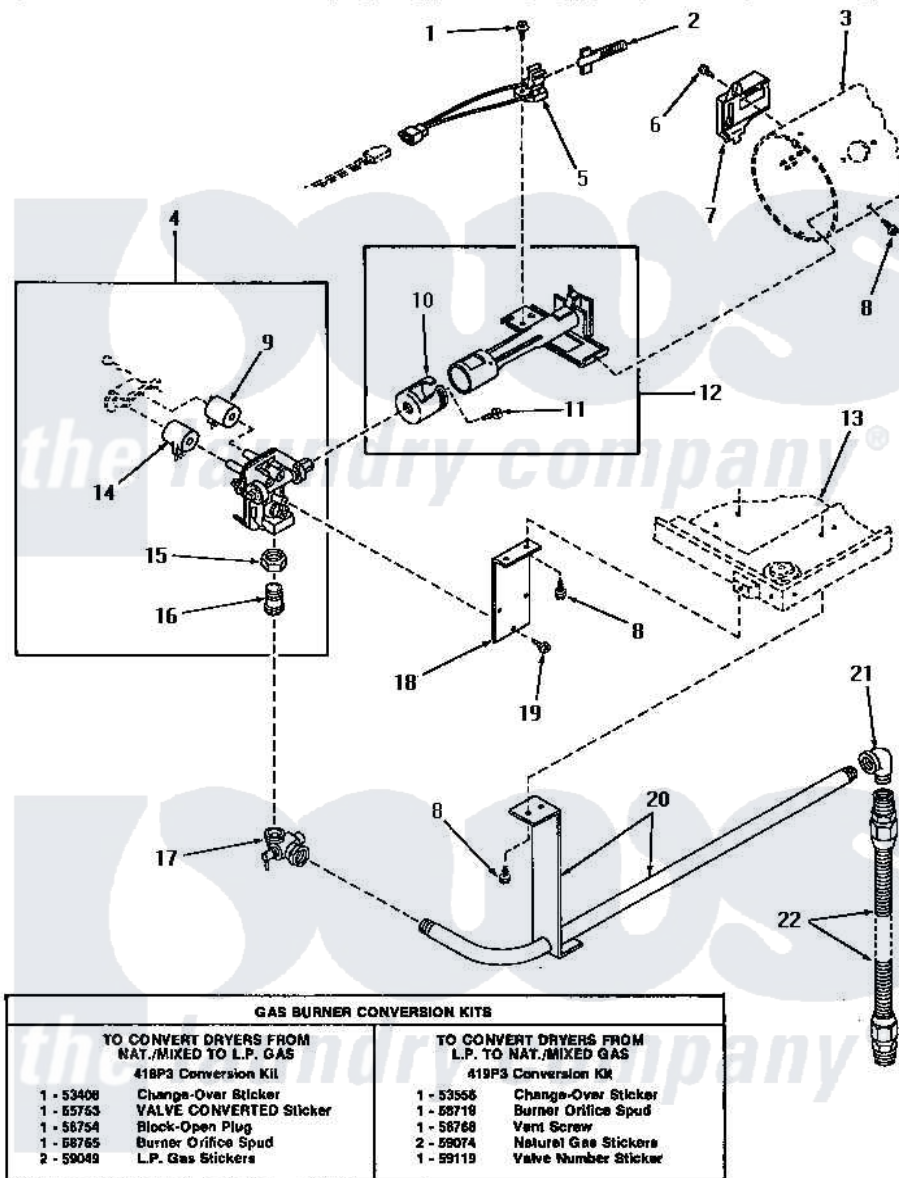


Amana UG8290 10 - GAS VALVE, IGNITER & GAS CONVERSION KITS



GAS VALVE, IGNITER AND GAS CONVERSION KITS

Amana [Residential Amana UG8290 Washer Parts](#) Parts Diagram 10 - GAS VALVE, IGNITER & GAS CONVERSION KITS

Click on the part number to view part

Item	Original Part Number	Replaced By	Status	Part Description
1	52973		Not Available	SCREW
2	55438	4392003		Ignitor
3	Y00000000		Not Available	SEE NOTE BURNER HOUSING
4	58804			Assembly, Valve-Gas-Single-
5	56233		Not Available	IGNITER BRACKET
6	23222	3177991		Screw
7	Y56231	338906		Radiant, Sensor
8	56264	27001200		Screw
9	58804B	694540		Coil, 60 Hz
10	53007	53-007		Receptacle
11	53006	53-006		Receptacle
12	Y56234	37001304		Burner Ign
13	Y00000000		Not Available	SEE NOTE TOP, BASE
14	58804A	306106		Coil, Holding And Booster--W
15	Y58281		Not Available	NUT

16	56282		Not Available	NIPPLE
17	M406102		Not Available	SHUT-OFF VALVE
18	58881		Not Available	BRACKET,MOUNTING
19	56124	3370225		Screw
20	59003		Not Available	ASSY,LEAD-IN PIPE
21	51792		Not Available	STREET ELL
22	59138		Not Available	ASSY,GAS CONNECTOR & A
NI	59074		Not Available	NATURAL GAS STICKERS
"	53408		Not Available	LABEL,CHANGE-OVER
"	58768	402P3		Kit, Conversion-NG
"	53556		Not Available	STICKER,CONVERSION
"	58719	402P3		Kit, Conversion-NG
"	58755	401P3		Kit, Conversion-LP
"	58754	401P3		Kit, Conversion-LP
"	418P3	401P3		Kit, Conversion-LP
"	59119		Not Available	LABEL
"	59049		Not Available	STICKER
"	55753		Not Available	VALVE CONVERTED STICKER
"	419P3		Not Available	KIT,CONVERSION-NG

