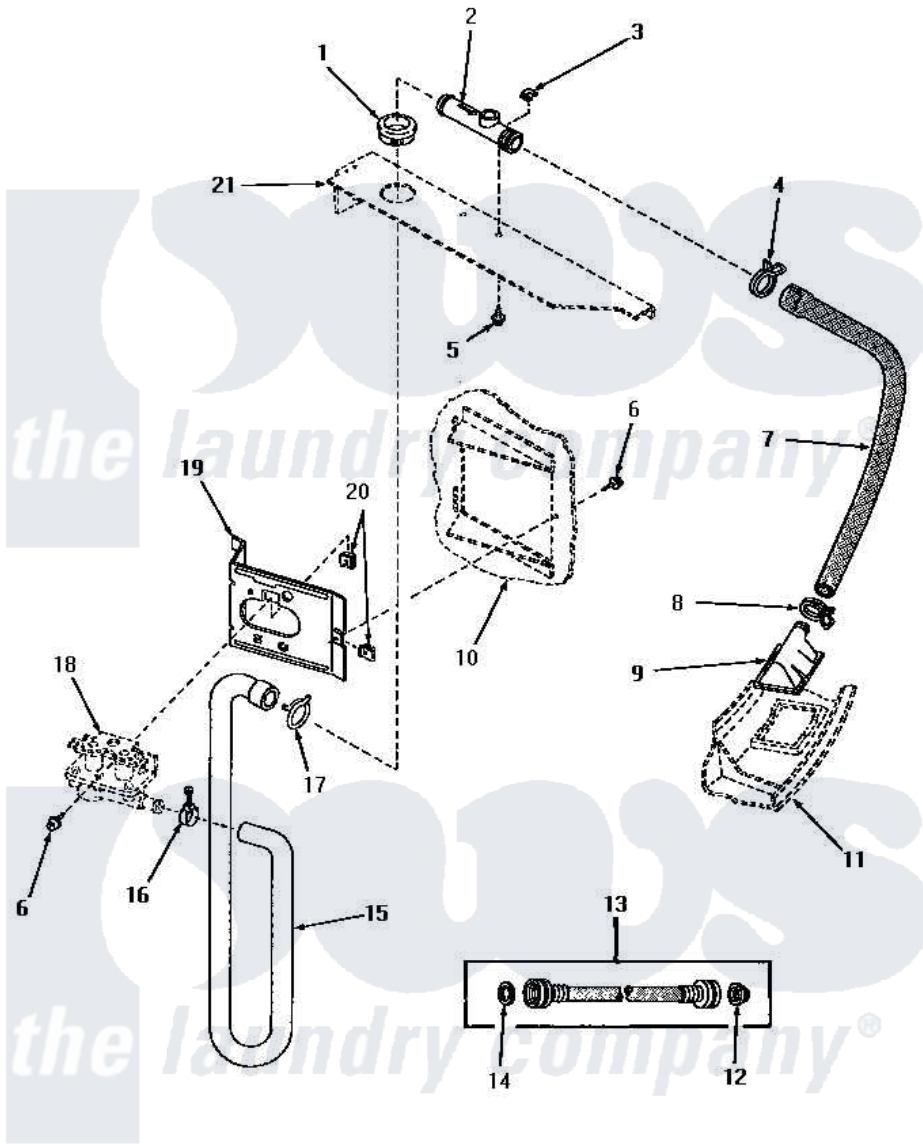


Amana UG8290 12 - INLET/FILL HOSE/BACK FL PREVENTER & BRKT



INLET HOSE, FILLER HOSE, BACK FLOW PREVENTER AND MIXING VALVE MOUNTING BRACKET

Amana [Residential Amana UG8290 Washer Parts](#) Parts Diagram 12 - INLET/FILL HOSE/BACK FL PREVENTER & BRKT

[Click on the part number to view part](#)

Item	Original Part Number	Replaced By	Status	Part Description
1	30086	Y0042659		Snap Bushing
2	27118	34280		Assembly, Backflow Prevento
3	29716		Not Available	SPEED NUT
4	29176	285655		Clamp, Hose
5	23962	W10116760		Screw
6	56392		Not Available	SCREW,8-18 X 3/8 TAPPI
7	29182		Not Available	HOSE,WATER INLET
8	29210			Hose Clamp
9	29154			Head, Water Inlet
10	Y00000000		Not Available	SEE NOTE WASHER OUTER CABINET
11	Y00000000		Not Available	SEE NOTE OUTER TUB COVER
12	28605	22002960		Strainer, Washer Inlet
13	28330	202860		Inlet Hose Assembly
14	20290	Y013783		Washer, Inlet Hose

15	29713		Hose, Mixing Valve To B
16	27643	596669	Clamp, Manifold
17	20210		Not Available NO LONGER AVAILABLE
18	Y00000000		Not Available SEE NOTE MIXING VALVE ASSEMBLY
19	27126	39407	Bracket, Valve
20	54038		NUT, Speed U-Type
21	Y00000000		Not Available SEE NOTE SUPPORT BRACKET

