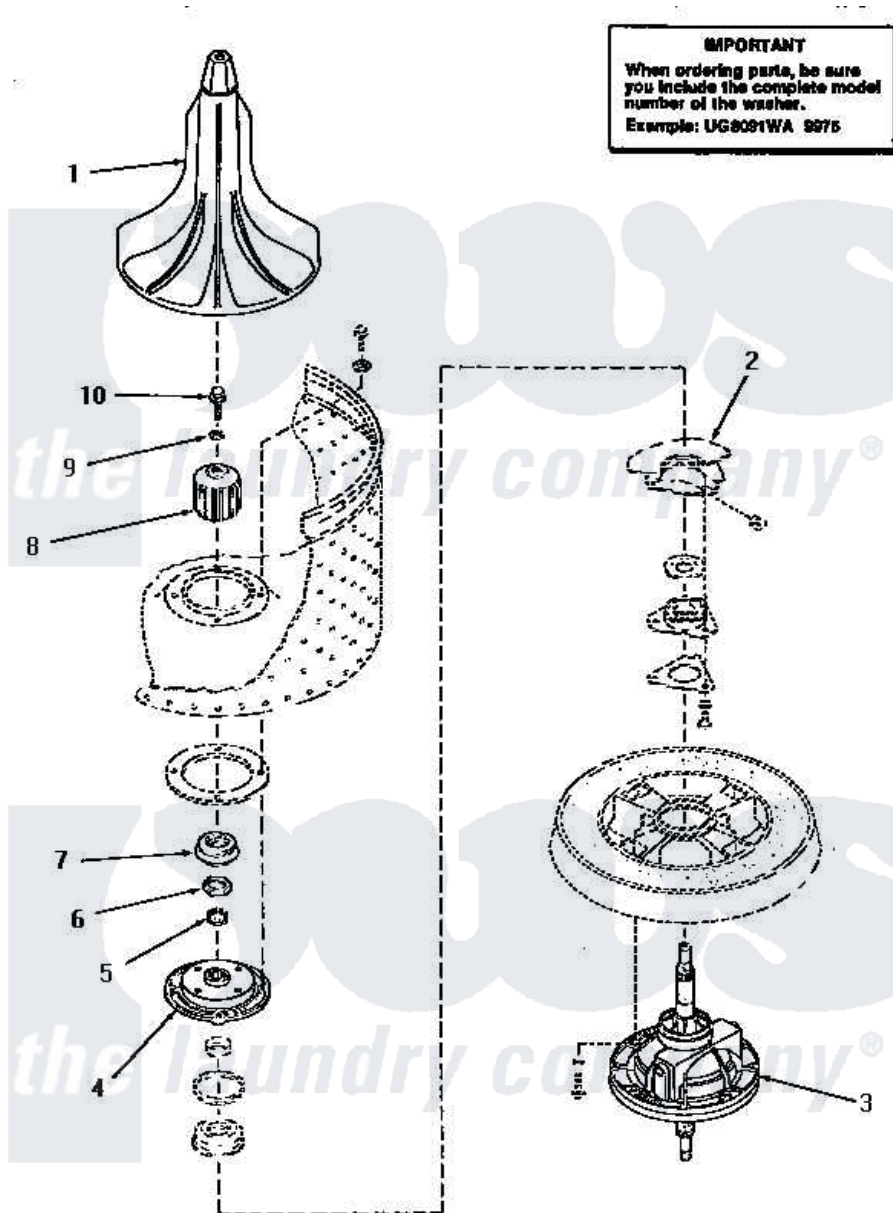


# Amana UG8290 20 - SHORT POST DRIVE (ADDITION)



Amana [Residential Amana UG8290 Washer Parts](#) Parts Diagram 20 - SHORT POST DRIVE (ADDITION)  
 Click on the part number to view part

Item	Original Part Number	Replaced By	Status	Part Description
1	30855	<a href="#">40000501W</a>		Agitator, Flex Vane
2	Y00000000		Not Available	SEE NOTE OUTER TUB
3	30848	<a href="#">33227P</a>		Assembly- Tran
4	30034		Not Available	HUB ASSEMBLY
5	29728	<a href="#">40008301</a>		Insert, Spline
6	Y29220	<a href="#">40016301</a>		Nut, Lock
7	30022		Not Available	ASSY, SEAL-HEAD xREPLACE
8	30071	<a href="#">R9900189</a>		Kit, Drive Bell And Seal
9	30853		Not Available	SEAL
10	<a href="#">30852</a>			Screw, No.8-1/4 X 20 X 3/