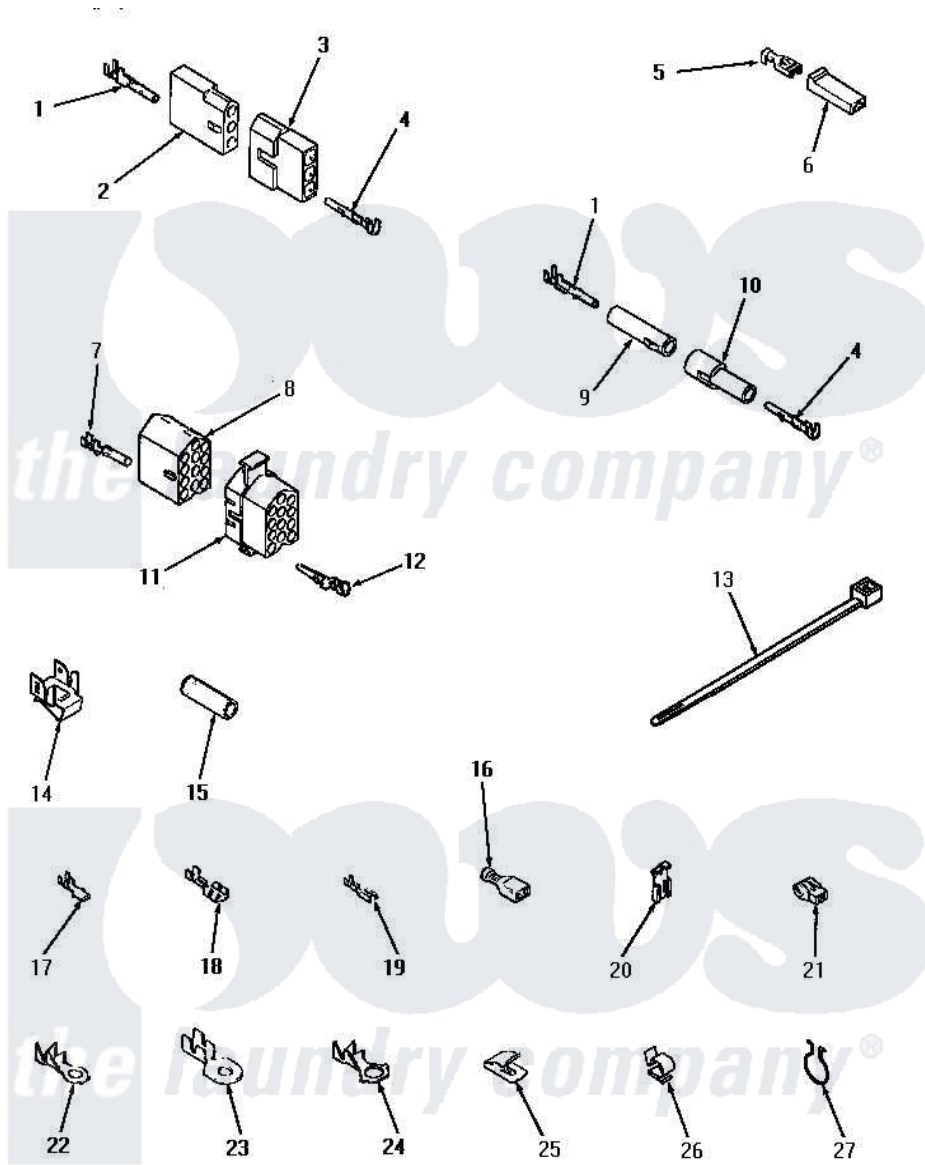


# Amana UG8290 24 - TERMINALS (DRYER)



## TERMINALS

Amana [Residential Amana UG8290 Washer Parts](#) Parts Diagram 24 - TERMINALS (DRYER)  
 Click on the part number to view part

Item	Original Part Number	Replaced By	Status	Part Description
1	Y00117	<a href="#">5011-XX</a>		093 Female Socket
2	23039	<a href="#">697780</a>		Receptacle,
3	<a href="#">23040</a>			Plug-3 Circuit
4	<a href="#">Y00116</a>			Terminal, Pin-Male
5	<a href="#">Y00115</a>			Lock In Spade Terminal (18 Gaug (1/4 Inch-(1) 18 Gauge Wire)
6	<a href="#">90789</a>			Connector
7	<a href="#">00130</a>			Terminal, Pin-1/8 Femal
"	<a href="#">Y00128</a>			Terminal, Pin-1/8 Femal
8	<a href="#">56855</a>			Receptacle, 12 Circuit
9	<a href="#">26301</a>			Receptacle, Molex
10	26302		Not Available	PLUG,1 CIRCUIT
11	<a href="#">54522</a>			Plug, Nylon
12	<a href="#">Y00127</a>			Terminal, Pin-1/8 Male
"	<a href="#">Y00129</a>			Terminal, Pin-1/8 Male
13	55881	<a href="#">M0321209</a>		Tie-Electrical

14	Y00161	<a href="#">B5733302</a>	Clip, Ground
15	Y21365	<a href="#">503670</a>	Sleeve Insulator
16	<a href="#">Y00165</a>		Insulated Spade Terminal
"	Y00163	<a href="#">285432</a>	Terminal
17	Y00139	<a href="#">Y00138</a>	Male Tab Terminal 18 Gauge Wire)
18	Y00119		Not Available SPADE TERMINAL(18 GAUGE) (1/4 INCH-(1) 18 GAUGE WIRE)
19	<a href="#">00112</a>		Terminal, Spade-3/16 Fe
20	<a href="#">Y00120</a>		Terminal, Flag-1/4 Fema
21	70210		Not Available INSULATOR,BLUE
22	<a href="#">00110</a>		No.10 18 Gauge Wire
23	<a href="#">Y00111</a>		Ring Terminal No.10 No.10 18 Gauge Wires Or
24	Y00113		Not Available TERMINAL,RING-1/4 STUD
25	21312	<a href="#">51291</a>	Clip, Wire
26	<a href="#">21036</a>		Clip, Cable
27	<a href="#">51291</a>		Clip, Wire

