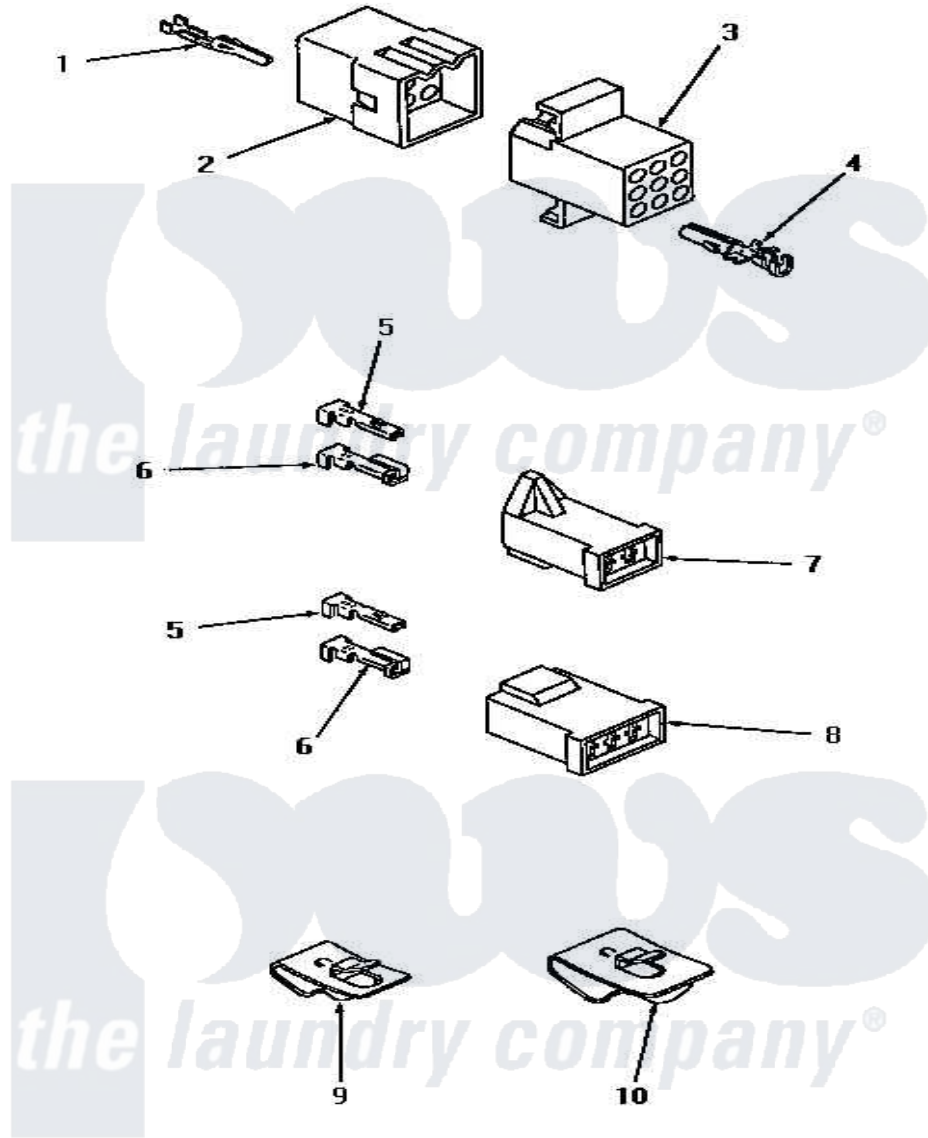


Amana UG8290 25 - TERMINALS (GAS DRYER)



TERMINALS

Amana [Residential Amana UG8290 Washer Parts](#) Parts Diagram 25 - TERMINALS (GAS DRYER)

[Click on the part number to view part](#)

Item	Original Part Number	Replaced By	Status	Part Description
"	NOTE:		Not Available	USE SHIM WASHER AS REQUIRED TO OBTAIN A MINIMUM OF .005 INCH TO A MAXIMUM OF .015 INCH CLEARANCE BETWEEN COUPLING AND FLANGED BEARING.
1	Y00116			Terminal, Pin-Male
2	23033			Plug, 9 Circuit
3	26163			Receptacle, 9 Circuit
4	Y00117	5011-XX		093 Female Socket
5	Y00189			Terminal, Spade
6	Y00190			Connector-Receptacle
7	58799			Connector-2 Circuit
8	58800		Not Available	CONNECTOR-3 CIRCUIT (3 CIRCUIT CONNECTOR)
9	20309			Cable Clip
10	21312	51291		Clip, Wire