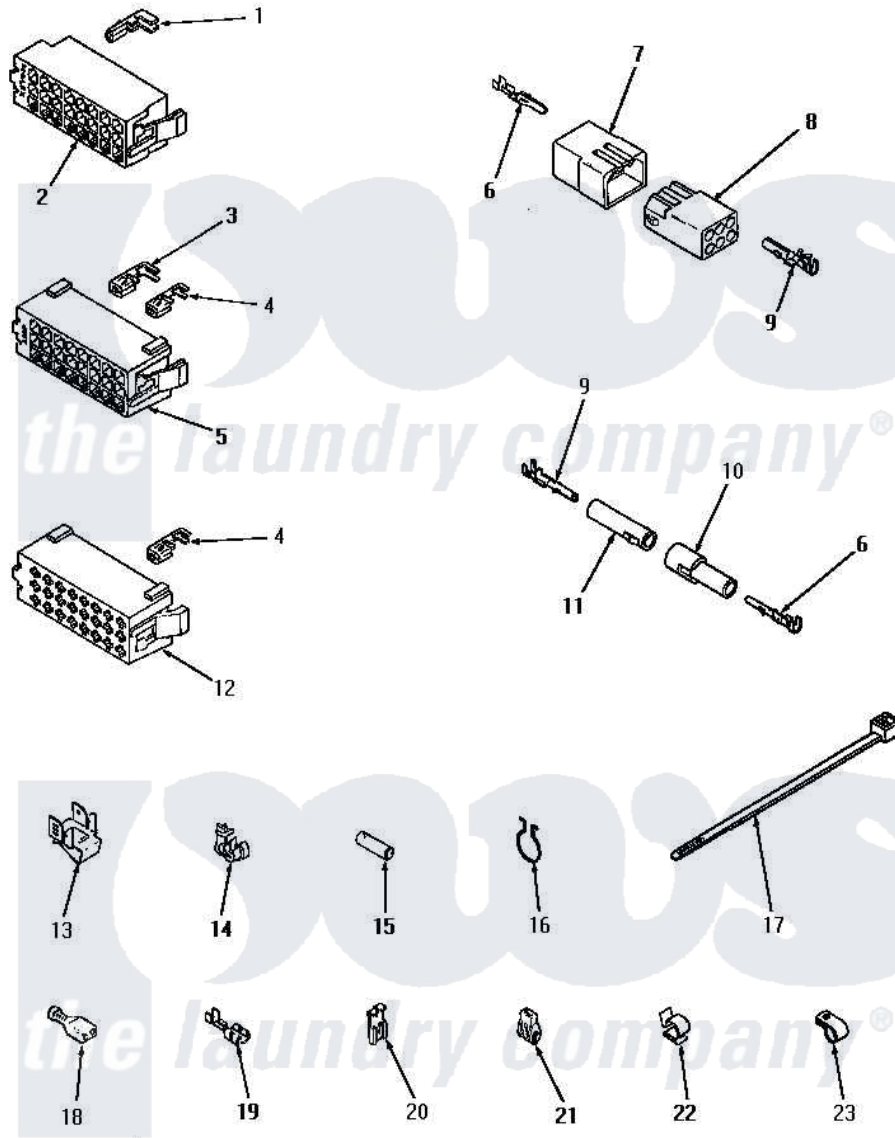


Amana UG8290 26 - TERMINALS (WASHER)



TERMINALS

Amana [Residential Amana UG8290 Washer Parts](#) Parts Diagram 26 - TERMINALS (WASHER)

[Click on the part number to view part](#)

Item	Original Part Number	Replaced By	Status	Part Description
1	24176		Not Available	MOLEX TERMINAL
2	24175	12500058		Knob Ski
3	00183		Not Available	TERMINAL,FEMALE 2-WIRE
4	00180		Not Available	TERMINAL,FEMALE
5	28856		Not Available	HOUSING,24 POSITION
6	Y00116			Terminal, Pin-Male
7	23037			Plug, 15 Circuit
"	23041			Plug, 6 Circuit
"	23040			Plug-3 Circuit
8	23039	697780		Receptacle,
"	23042		Not Available	RECEPTACLE
"	23038		Not Available	RECEPTACLE,15 CIRCUIT
9	Y00117	5011-XX		093 Female Socket
10	26302		Not Available	PLUG,1 CIRCUIT
11	26301			Receptacle, Molex
12	28855		Not Available	HOUSING,24 POSITION-L.

13	Y00161	B5733302	Clip, Ground
14	52151	Not Available	RELIEF, STRAIN
15	Y21365	503670	Sleeve Insulator
16	51291		Clip, Wire
17	55881	M0321209	Tie-Electrical
18	Y00163	285432	Terminal
19	Y00119	Not Available	SPADE TERMINAL(18 GAUGE) (1/4 INCH-(1) 18 GAUGE WIRE)
20	Y00120		Terminal, Flag-1/4 Fema
21	70210	Not Available	INSULATOR,BLUE
22	21036		Clip, Cable
23	90213	Not Available	WIRE HARNESS CLIP

the laundry company[®]

the laundry company[®]

the laundry company[®]