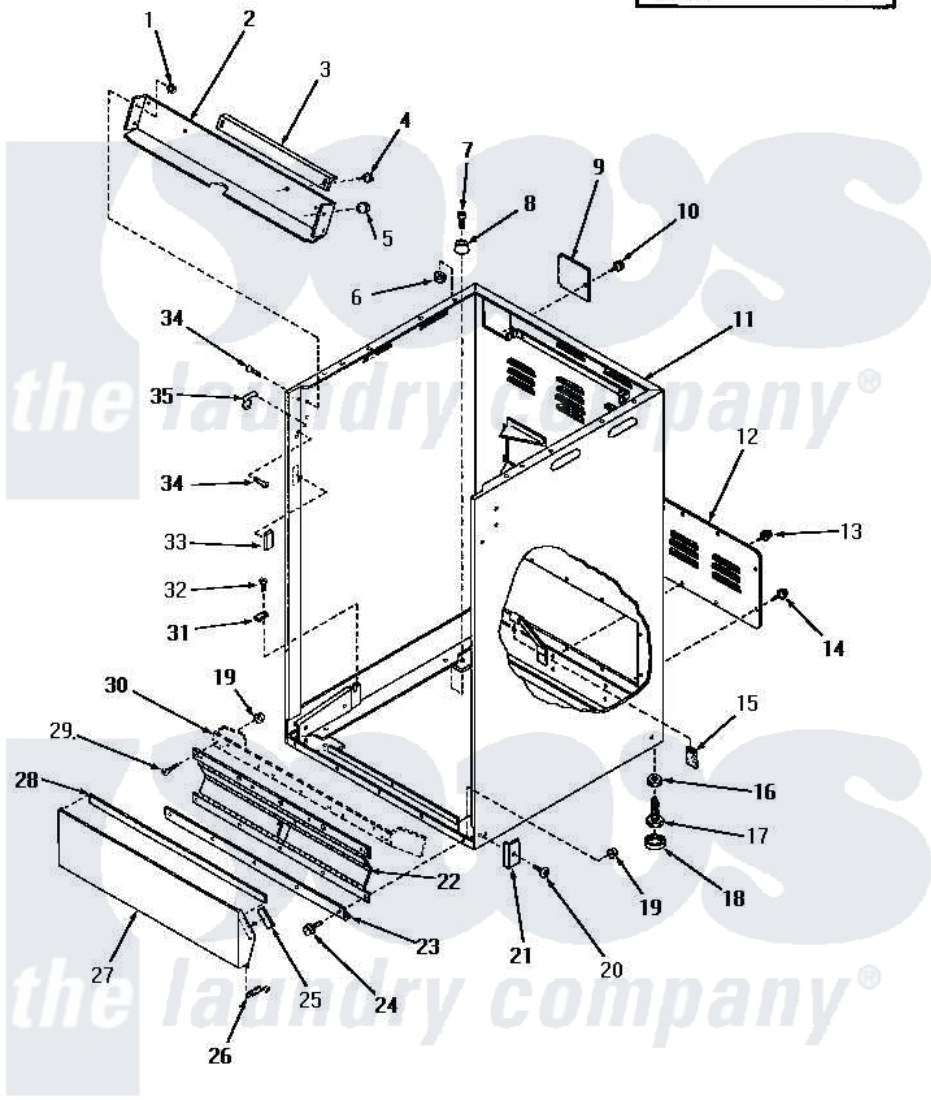


# Amana UG8290 29 - WASHER OUTER CABINET & LEVELING LEGS

\*ADD SUFFIX LETTER TO PART NUMBER TO DESIGNATE COLOR.  
L Almond W White



## WASHER OUTER CABINET AND LEVELING LEGS

Amana Residential Amana UG8290 Washer Parts Parts Diagram 29 - WASHER OUTER CABINET & LEVELING LEGS  
Click on the part number to view part

Item	Original Part Number	Replaced By	Status	Part Description
1	51236	<a href="#">488130</a>		Nut
2	29859		Not Available	SHIELD,SUPPORT
3	29953		Not Available	LID STOP ANGLE
4	23222	<a href="#">3177991</a>		Screw
5	22299		Not Available	GROMMET
6	29786	<a href="#">487939</a>		Nut
7	29888		Not Available	SCREW
8	29649		Not Available	LEG,PILOT
9	56044	<a href="#">60821</a>		Access Cover
10	25723	<a href="#">27001200</a>		Screw
11	29835W		Not Available	WASHER OUTER CABINET ASSEMBLY,
"	29835L		Not Available	ASSY,CABINET-OUTER
12	29729L		Not Available	ACCESS PANEL, ALMOND
"	29729W		Not Available	ACCESS PANEL, WHITE
13	51784		Not Available	SCREW,10B-16 X 1/2 HEX
14	56392		Not Available	SCREW,8-18 X 3/8 TAPPI

15	29730		Not Available	TUBING,SHRINK
16	Y21899	<a href="#">40038101</a>		Nut, Leg
17	20409	<a href="#">22003428</a>		Leg, Adjustable
18	21749	<a href="#">40016001</a>		Foot, Rubber
19	23951	<a href="#">M0282009</a>		Nut
20	29942		Not Available	SCREW
21	29946W		Not Available	SHIELD, WHITE
"	29946L		Not Available	SHIELD, ALMOND
22	29771		Not Available	ASSY,HINGE-TOGGLE
23	29819		Not Available	COVER,ANGLE
24	30211	<a href="#">27157</a>		Screw, 10-24 X 5/8 Spec
25	<a href="#">30335</a>			Strip, Vinyl-2 Inch
26	30141		Not Available	No Longer Available
27	30147		Not Available	PLATE,TOE
28	30146		Not Available	STRIP,MYLAR
29	29941		Not Available	SCREW
30	Y00000000		Not Available	SEE NOTE INNER BASE
31	29794		Not Available	CLAMP,PIVOT
32	29888		Not Available	SCREW
33	30216		Not Available	PAD,FELT
34	<a href="#">22649</a>			Screw, 8-32 X 13/32 FI
35	29890		Not Available	COLLAR

