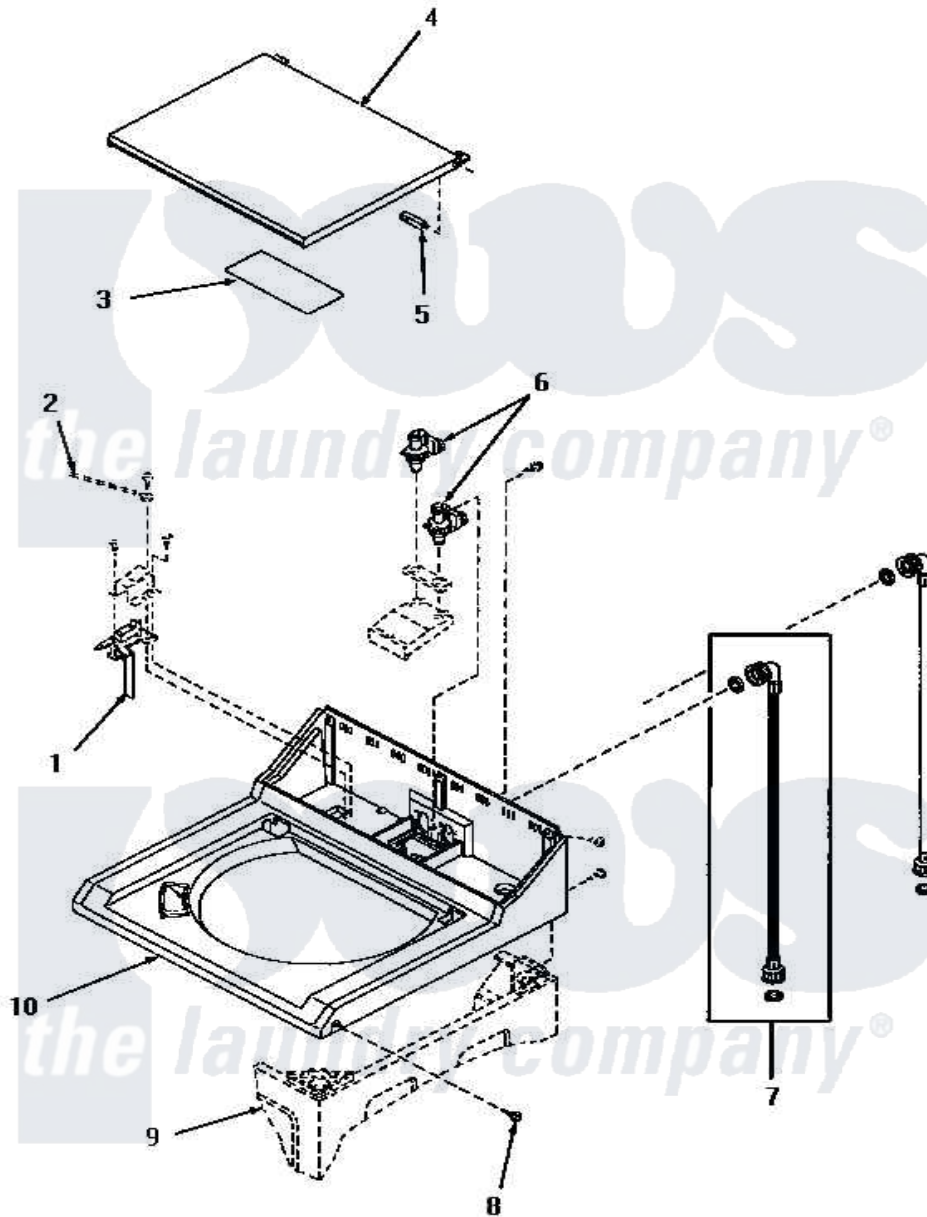


# Amana YA1200 02 - CAB TOP, LID, SWITCH, INLET VLV & HOSES



Amana [Residential Amana YA1200 Washer Parts](#) Parts Diagram 02 - CAB TOP, LID, SWITCH, INLET VLV & HOSES  
 Click on the part number to view part

| Item | Original Part Number   | Replaced By           | Status        | Part Description                  |
|------|------------------------|-----------------------|---------------|-----------------------------------|
| 1    | 13566                  |                       | Not Available | SWITCH,LID                        |
| 2    | Y00000000              |                       | Not Available | SEE NOTE GROUND WIRE, GREEN       |
| 3    | 13660                  |                       | Not Available | STICKER,INSTRUCTION               |
| 4    | <a href="#">13658L</a> |                       |               | Lid, Almond                       |
| 5    | 13659                  |                       | Not Available | HINGE                             |
| 6    | 13808                  |                       | Not Available | VALVE,INLET                       |
| 7    | Y13549                 | <a href="#">76314</a> |               | Hose, Inlet 6 Ft. Hose With Elbow |
| 8    | <a href="#">13568</a>  |                       |               | Screw                             |
| 9    | Y00000000              |                       | Not Available | SEE NOTE CABINET ASSEMBLY         |
| 10   | 13656L                 |                       | Not Available | TOP,CABINET-ALMOND                |