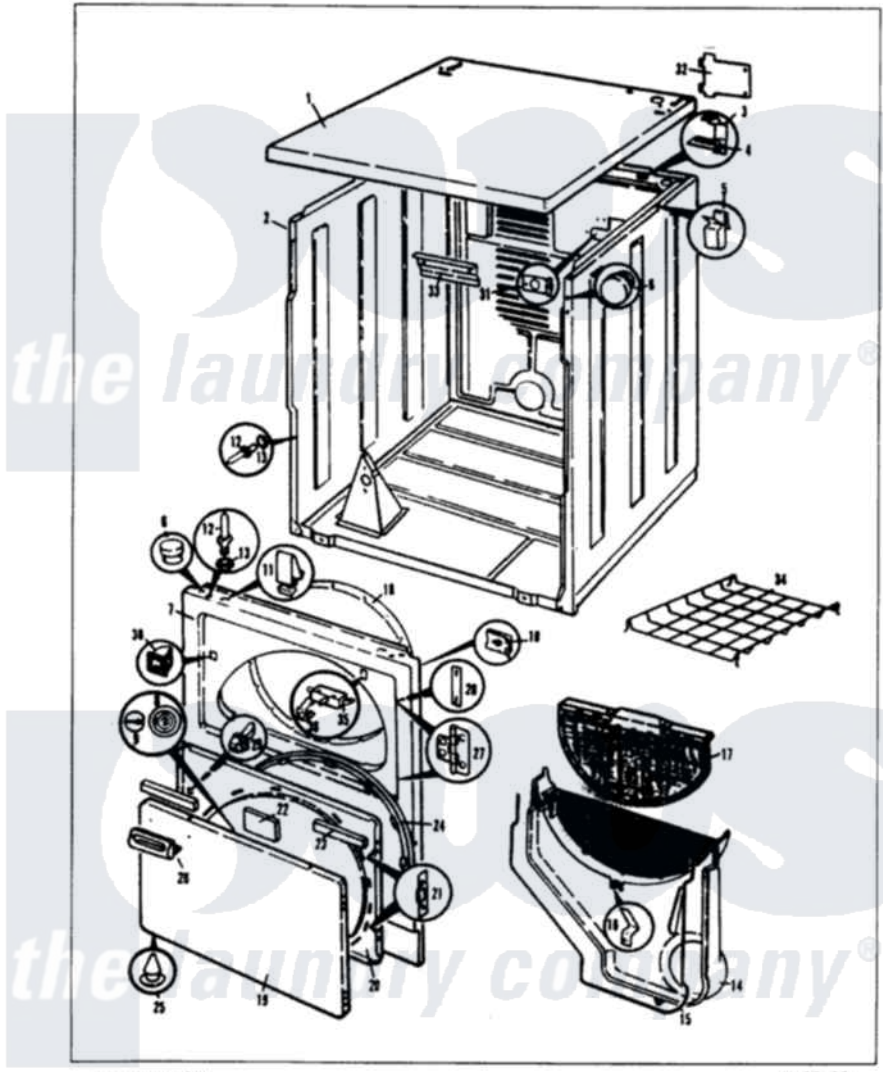


Crosley CDE20C7 02 - CYLINDER & DRIVE (ORIG.-REV. A-C)

MASTER CARE CDG20C7 EXTERIOR



Issued 11/85

H-27-23

Crosley Residential Crosley CDE20C7 Dryer Parts Parts Diagram 02 - CYLINDER & DRIVE (ORIG.-REV. A-C)
 Click on the part number to view part

| Item | Original Part Number | Replaced By | Status | Part Description |
|------|-------------------------|---------------------------|---------------|--------------------|
| 1 | 63-5519 | | Not Available | LEG, LEVELING |
| 2 | 53-0120 | | | Clip, Front Panel |
| 3 | 25-7027 | 16515 | | Clip |
| 4 | 25-7741 | W10116760 | | Screw |
| " | 53-0153 | | Not Available | SHIELD, WIRING |
| 5 | 53-0691 | LA-1054 | | Dryer Bulkhead Kit |
| " | 25-7733 | 681414 | | Screw, 10AB X 1/2 |
| 6 | 53-0218 | 31001747 | | Seal Assembly |
| 7 | 53-0178 | 53-1250 | | Cylinder |
| 8 | 53-0117 | | Not Available | BAFFLE, GRAY |
| " | 25-7759 | 3196164 | | Screw |
| 9 | 53-0186 | 341241 | | Belt |
| " | LA-1004 | | | Motor Mtg. Kit |
| 10 | 53-0189 | LA-1004 | | Motor Mtg. Kit |
| 11 | 73-0467 | | Not Available | MOTOR SWITCH |
| " | 53-0332 | | | Motor Switch |

| | | | | |
|----|-------------------------|--------------------------|---------------|---|
| 12 | 25-7811 | | Not Available | SCREW |
| " | 53-0105 | | Not Available | BRACKET |
| 13 | W10124350 | | Not Available | NOT REQUIRED PART OR SEE NOTE SCREW- PURCHASE LOCALLY |
| " | 53-0214 | 660658 | | Clamp, Motor Mounting 343481 685441 |
| 14 | 53-0199 | 53-2366 | | Idler Arm |
| 15 | 53-0207 | | Not Available | IDLER SPRING |
| 16 | 53-0134 | | | Duct, Exhaust |
| " | W10124350 | | Not Available | NOT REQUIRED PART OR SEE NOTE SCREW- PURCHASE LOCALLY |
| 17 | 53-0157 | | Not Available | BLOWER HOUSING |
| 18 | 53-0205 | | Not Available | BLOWER HSG&SEAL |
| " | 53-0206 | | Not Available | COVER & SEAL |
| " | 53-0203 | 12001324 | | Duct Kit, Collector |
| 19 | 53-0106 | | | Blower Wheel |
| 20 | 25-7823 | 312967 | | Clamp, Blower Housing |
| 21 | 25-7812 | 25-7855 | | Ring, Retaining |
| 22 | 25-7807 | 33002917 | | Screw, No.10-16 |
| " | 53-0103 | | Not Available | HOUSING COVER |
| 23 | 53-0263 | 53-1107 | | Thermostat, Control |
| 24 | W10124350 | | Not Available | NOT REQUIRED PART OR SEE NOTE SCREW- PURCHASE LOCALLY |
| " | 53-0262 | | Not Available | THERMOSTAT |
| 25 | 53-0152 | 53-1580 | | Receptacle Assembly |
| 26 | 53-0177 | A3167501 | | Lamp Oven, Int. |
| " | 25-3457 | | | Screw, Sems |
| 27 | 53-0174 | | | Lens, Bulb |
| 28 | 25-3562 | 3195558 | | Nut |
| " | LA-1006 | | | Glide Kit, Tumbler |
| 29 | 53-0182 | 31001356 | | Pad, Glide |
| 30 | LA-1007 | 12002126 | | Reinforcement Brace/Glide Kit |
| " | 53-0183 | 31001469 | | Glide, Tumbler |
| 31 | 53-0198 | | | Support Assembly |
| " | 25-7101 | 3351614 | | Screw, Gearcase Cover Mounting |
| 32 | 53-0665 | 12002126 | | Reinforcement Brace/Glide Kit |
| 33 | 25-7813 | | | Spacer |
| 34 | 25-7814 | | | Washer |
| 35 | 25-7574 | 25-7854 | | Ring, Retaining |
| 36 | 53-0184 | 31001356 | | Pad, Glide |
| 37 | 53-0185 | 31001470 | | Glide, Tumbler |
| " | LA-1008 | | | Rr Roller Kit |
| 38 | 25-7101 | 3351614 | | Screw, Gearcase Cover Mounting |
| " | 53-0197 | | | Support Assembly-Cylinder Rear |
| 39 | 53-0163 | 31001096 | | Roller |
| 40 | 25-7813 | | | Spacer |
| 41 | 25-7814 | | | Washer |
| 42 | 25-7574 | 25-7854 | | Ring, Retaining |