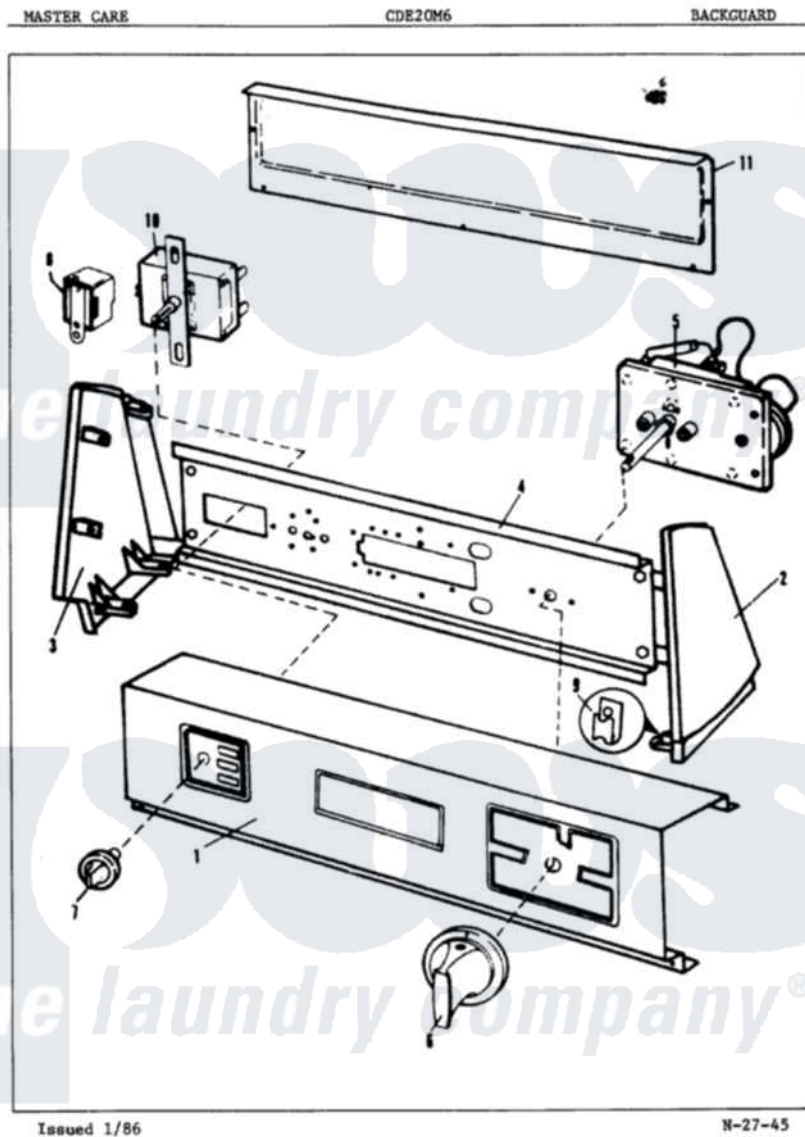


Crosley CDE20M6A 02 - CONTROL PANEL (REV. E-F)



Crosley [Residential Crosley CDE20M6A Dryer Parts](#) Parts Diagram 02 - CONTROL PANEL (REV. E-F)
 Click on the part number to view part

Item	Original Part Number	Replaced By	Status	Part Description
1	25-7702			Speedclip, End Cap To Control Panel
"	53-0834		Not Available	CONTROL PANEL
"	25-7793			Screw
2	53-0264			RH Endcap
3	25-7760			Screw
"	53-0265			LH Endcap
"	53-0277		Not Available	TRIM, END CAP (RT)
"	53-0278		Not Available	TRIM, END CAP (LT)
4	53-0365	53-1676		Shield, Control
"	25-3092	90767		Screw, 8A X 3/8 HeX Washer Head Tapping
"	25-7702			Speedclip, End Cap To Control Panel
5	25-0205	216412		Screw, Bracket To Timer
"	53-0663			Timer
"	63-6752		Not Available	TIMER MOTOR

6	53-0729		Not Available	TIMER KNOB ASM
7	35-0167	21001283		Knob, Selector---Piq
8	63-6731	53-1639		Buzzer Assembly
"	25-3092	90767		Screw, 8A X 3/8 HeX Washer Head Tapping
9	25-7702			Speedclip, End Cap To Control Panel
10	53-0394	53-1264		Rotary Switch
"	25-3092	90767		Screw, 8A X 3/8 HeX Washer Head Tapping
11	25-3092	90767		Screw, 8A X 3/8 HeX Washer Head Tapping
"	34-9487		Not Available	PLATE, REINFORCEMENT
"	25-3457			Screw, Sems
"	25-7435	33002917		Screw, No.10-16
"	25-7697	25-2219		Screw
"	25-7852			Speedclip, Rr Shld To End Cap
"	53-0268	21001460		Shield, Rear
"	25-7851			Speedclip, End Cap To Top

