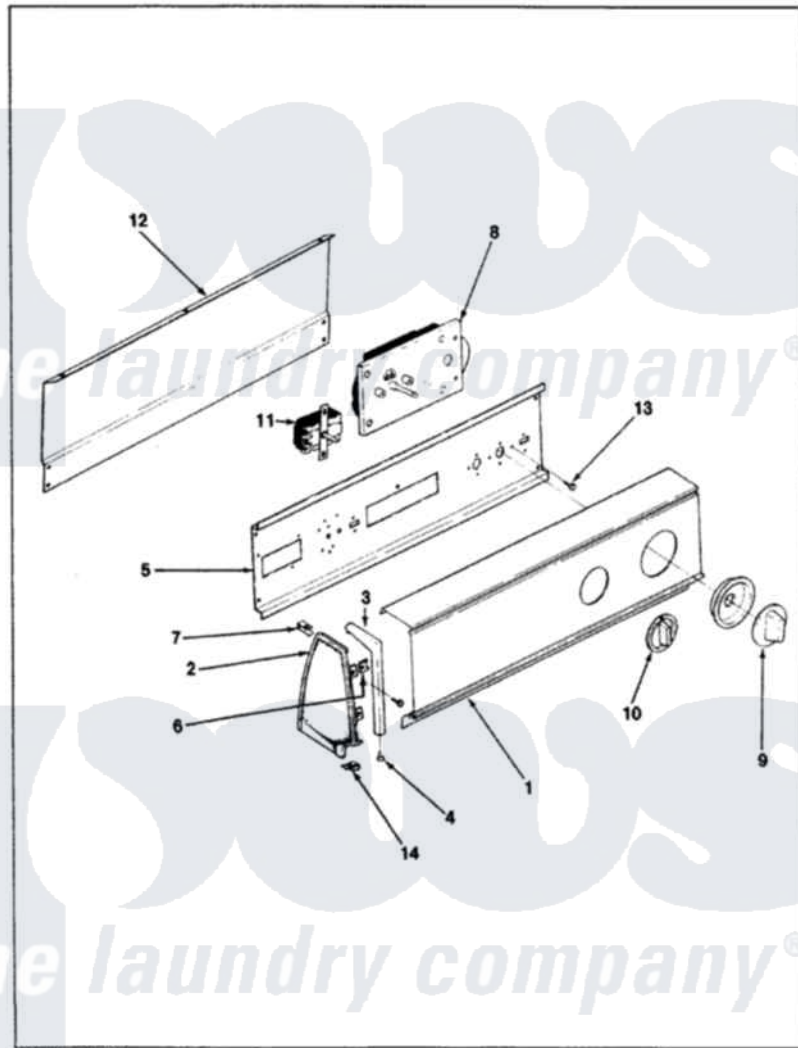


Crosley CDE20P6A 01 - CONTROL PANEL (ORIG. REV. A-D)

CROSLEY

CDE20P6

BACKGUARD



ISSUED 11/89

Crosley [Residential Crosley CDE20P6A Dryer Parts](#) Parts Diagram 01 - CONTROL PANEL (ORIG. REV. A-D)
 Click on the part number to view part

Item	Original Part Number	Replaced By	Status	Part Description
1	25-7702			Speedclip, End Cap To Control Panel
"	25-7793			Screw
"	53-1287		Not Available	CONTROL PANEL
2	35-2488	21001452		Cap- End
"	35-2487	21001451		Cap- End
"	53-0264			RH Endcap
"	53-0265			LH Endcap
3	53-0278		Not Available	TRIM, END CAP (LT)
"	53-0277		Not Available	TRIM, END CAP (RT)
4	25-7760			Screw
5	53-0365	53-1676		Shield, Control
"	53-1676			Shield, Control
6	25-7702			Speedclip, End Cap To Control Panel
7	25-7852			Speedclip, Rr Shld To End Cap

8	53-1548		Timer
"	53-1804		Timer
"	25-0205	216412	Screw, Bracket To Timer
"	53-1302		Timer
"	53-0635	Not Available	TIMER MOTOR
9	25-6044		Set Screw
"	53-0653	31001219	Knob Ski
10	35-2256	21001283	Knob, Selector---Piq
"	25-7702		Speedclip, End Cap To Control Panel
"	25-3092	90767	Screw, 8A X 3/8 HeX Washer Head Tapping
"	63-6731	53-1639	Buzzer Assembly
11	25-3092	90767	Screw, 8A X 3/8 HeX Washer Head Tapping
"	53-1265	Not Available	ROTARY SWITCH
12	25-3092	90767	Screw, 8A X 3/8 HeX Washer Head Tapping
"	25-7697	25-2219	Screw
"	25-7851		Speedclip, End Cap To Top
"	35-2688	21001460	Shield, Rear
"	53-0268	21001460	Shield, Rear
13	25-0205	216412	Screw, Bracket To Timer
14	25-7851		Speedclip, End Cap To Top

