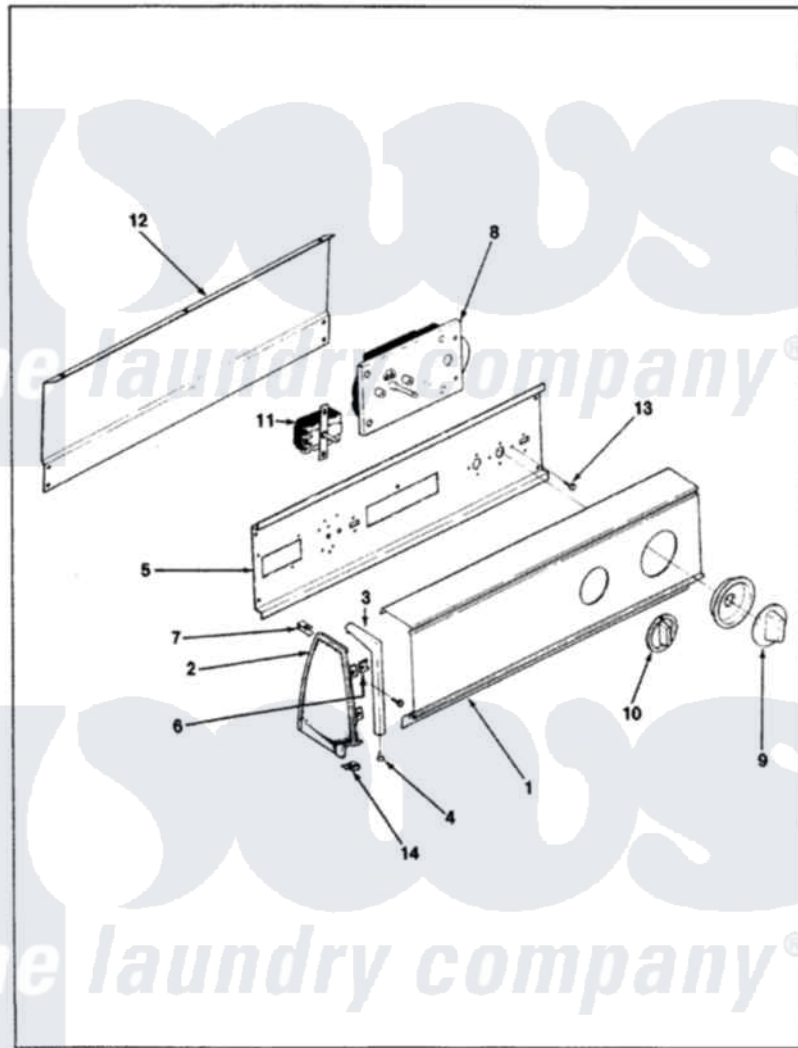


# Crosley CDE20P6W 02 - CONTROL PANEL (ORIG. REV. A-D)

CROSLEY

CDE20P6

BACKGUARD



ISSUED 11/89

Crosley [Residential Crosley CDE20P6W Dryer Parts](#) Parts Diagram 02 - CONTROL PANEL (ORIG. REV. A-D)

[Click on the part number to view part](#)

Item	Original Part Number	Replaced By	Status	Part Description
1	<a href="#">25-7702</a>			Speedclip, End Cap To Control Panel
"	<a href="#">25-7793</a>			Screw
"	53-1287		Not Available	CONTROL PANEL
2	35-2488	<a href="#">21001452</a>		Cap- End
"	35-2487	<a href="#">21001451</a>		Cap- End
"	<a href="#">53-0264</a>			RH Endcap
"	<a href="#">53-0265</a>			LH Endcap
3	53-0278		Not Available	TRIM, END CAP (LT)
"	53-0277		Not Available	TRIM, END CAP (RT)
4	<a href="#">25-7760</a>			Screw
5	53-0365	<a href="#">53-1676</a>		Shield, Control
"	<a href="#">53-1676</a>			Shield, Control
6	<a href="#">25-7702</a>			Speedclip, End Cap To Control Panel
7	<a href="#">25-7852</a>			Speedclip, Rr Shld To End Cap

8	<a href="#">53-1548</a>		Timer
"	<a href="#">53-1804</a>		Timer
"	25-0205	<a href="#">216412</a>	Screw, Bracket To Timer
"	<a href="#">53-1302</a>		Timer
"	53-0635	Not Available	TIMER MOTOR
9	<a href="#">25-6044</a>		Set Screw
"	53-0653	<a href="#">31001219</a>	Knob Ski
10	35-2256	<a href="#">21001283</a>	Knob, Selector---Piq
"	<a href="#">25-7702</a>		Speedclip, End Cap To Control Panel
"	25-3092	<a href="#">90767</a>	Screw, 8A X 3/8 HeX Washer Head Tapping
"	63-6731	<a href="#">53-1639</a>	Buzzer Assembly
11	25-3092	<a href="#">90767</a>	Screw, 8A X 3/8 HeX Washer Head Tapping
"	53-1265	Not Available	ROTARY SWITCH
12	25-3092	<a href="#">90767</a>	Screw, 8A X 3/8 HeX Washer Head Tapping
"	25-7697	<a href="#">25-2219</a>	Screw
"	<a href="#">25-7851</a>		Speedclip, End Cap To Top
"	35-2688	<a href="#">21001460</a>	Shield, Rear
"	53-0268	<a href="#">21001460</a>	Shield, Rear
13	25-0205	<a href="#">216412</a>	Screw, Bracket To Timer
14	<a href="#">25-7851</a>		Speedclip, End Cap To Top

