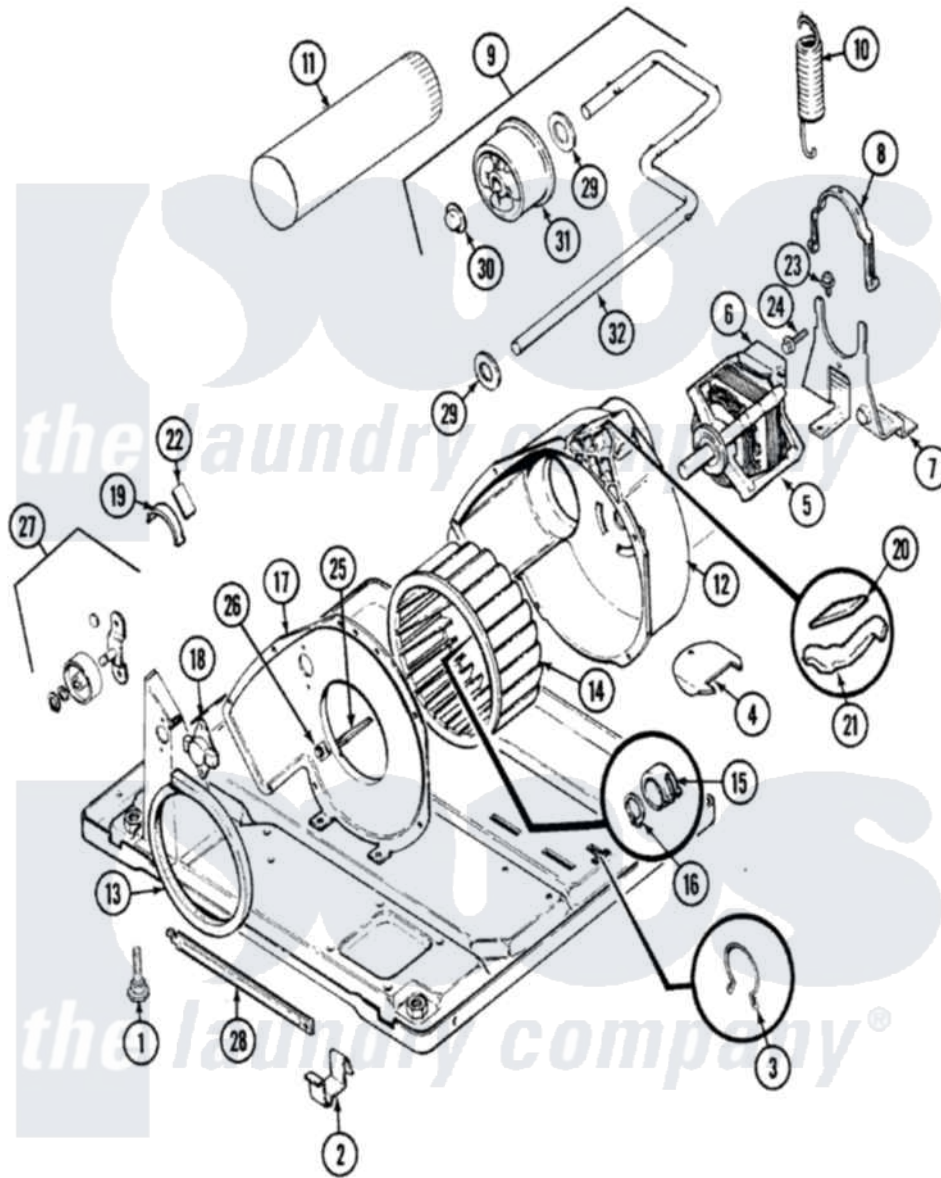


Crosley CDE20P8A 06 - MOTOR & DRIVE (REV. E-F)



Crosley [Residential Crosley CDE20P8A Dryer Parts](#) Parts Diagram 06 - MOTOR & DRIVE (REV. E-F)
 Click on the part number to view part

Item	Original Part Number	Replaced By	Status	Part Description
1	63-5519		Not Available	LEG, LEVELING
2	53-0120			Clip, Front Panel
3	25-7027	16515		Clip
4	25-7741	W10116760		Screw
"	LA-1004			Motor Mtg. Kit
"	53-0153		Not Available	SHIELD, WIRING
5	53-1589	341241		Belt
"	53-0189	LA-1004		Motor Mtg. Kit
"	53-2275	W10410996		Motor-Drive
6	53-0693	53-0332		Motor Switch
7	53-1932	31001570		Bracket, Motor
"	25-7811		Not Available	SCREW
"	53-0105		Not Available	BRACKET
8	53-0214	660658		Clamp, Motor Mounting 343481 685441
9	53-0199	53-2366		Idler Arm
"	53-2287			Idler Assembly

10	53-0207		Not Available	IDLER SPRING
"	53-2209	31001465		Spring, Idler
11	53-0134			Duct, Exhaust
"	25-2134	W10116760		Screw
12	53-0774		Not Available	BLOWER HOUSING
"	53-1801			Housing, Blower
13	53-0203	12001324		Duct Kit, Collector
14	53-0106			Blower Wheel
15	25-7823	312967		Clamp, Blower Housing
16	25-7855			Ring, Retaining
17	53-1024		Not Available	BLOWER COVER
"	25-7807	33002917		Screw, No.10-16
"	53-1933		Not Available	COVER, BLOWER HOUSING
18	53-1107			Thermostat, Control
"	25-2134	W10116760		Screw
"	53-0170		Not Available	THERMOSTAT, LO-LIMIT (120/110)
19	LA-1006			Glide Kit, Tumbler
"	53-0185	31001470		Glide, Tumbler
20	53-0724	31001356		Pad, Glide
21	53-0183	31001469		Glide, Tumbler
22	LA-1008			Rr Roller Kit
"	53-1684	31001356		Pad, Glide
23	25-7699		Not Available	STRAIN RELIEF
24	25-7674			Screw
25	53-1026			Guide, Vane Inlet
26	25-3457			Screw, Sems
27	LA-1007	12002126		Reinforcement Brace/Glide Kit
28	LA-2010	53-1625		Brace, Tumbler Support
29	25-7815			Washer
30	25-7957			Pushnut
31	53-1628	31001344		Pulley, Idler
32	53-2250	53-2287		Idler Assembly

