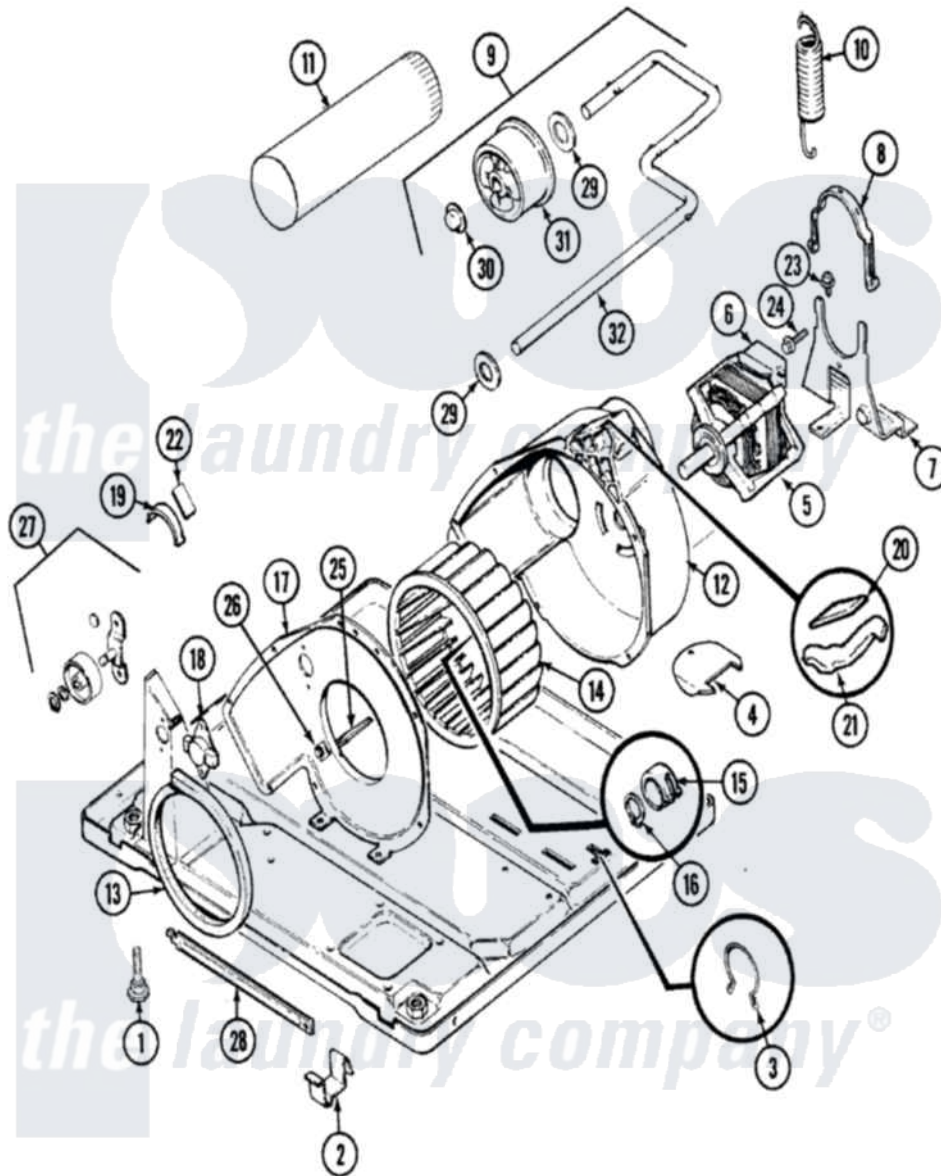


# Crosley CDE20P8W 09 - MOTOR & DRIVE (REV. E-F)



Crosley [Residential Crosley CDE20P8W Dryer Parts](#) Parts Diagram 09 - MOTOR & DRIVE (REV. E-F)  
 Click on the part number to view part

Item	Original Part Number	Replaced By	Status	Part Description
1	63-5519		Not Available	LEG, LEVELING
2	<a href="#">53-0120</a>			Clip, Front Panel
3	25-7027	<a href="#">16515</a>		Clip
4	25-7741	<a href="#">W10116760</a>		Screw
"	<a href="#">LA-1004</a>			Motor Mtg. Kit
"	53-0153		Not Available	SHIELD, WIRING
5	53-1589	<a href="#">341241</a>		Belt
"	53-0189	<a href="#">LA-1004</a>		Motor Mtg. Kit
"	53-2275	<a href="#">W10410996</a>		Motor-Drive
6	53-0693	<a href="#">53-0332</a>		Motor Switch
7	53-1932	<a href="#">31001570</a>		Bracket, Motor
"	25-7811		Not Available	SCREW
"	53-0105		Not Available	BRACKET
8	53-0214	<a href="#">660658</a>		Clamp, Motor Mounting 343481 685441
9	53-0199	<a href="#">53-2366</a>		Idler Arm
"	<a href="#">53-2287</a>			Idler Assembly

10	53-0207		Not Available	IDLER SPRING
"	53-2209	<a href="#">31001465</a>		Spring, Idler
11	<a href="#">53-0134</a>			Duct, Exhaust
"	25-2134	<a href="#">W10116760</a>		Screw
12	53-0774		Not Available	BLOWER HOUSING
"	<a href="#">53-1801</a>			Housing, Blower
13	53-0203	<a href="#">12001324</a>		Duct Kit, Collector
14	<a href="#">53-0106</a>			Blower Wheel
15	25-7823	<a href="#">312967</a>		Clamp, Blower Housing
16	<a href="#">25-7855</a>			Ring, Retaining
17	53-1024		Not Available	BLOWER COVER
"	25-7807	<a href="#">33002917</a>		Screw, No.10-16
"	53-1933		Not Available	COVER, BLOWER HOUSING
18	<a href="#">53-1107</a>			Thermostat, Control
"	25-2134	<a href="#">W10116760</a>		Screw
"	53-0170		Not Available	THERMOSTAT, LO-LIMIT (120/110)
19	<a href="#">LA-1006</a>			Glide Kit, Tumbler
"	53-0185	<a href="#">31001470</a>		Glide, Tumbler
20	53-0724	<a href="#">31001356</a>		Pad, Glide
21	53-0183	<a href="#">31001469</a>		Glide, Tumbler
22	<a href="#">LA-1008</a>			Rr Roller Kit
"	53-1684	<a href="#">31001356</a>		Pad, Glide
23	25-7699		Not Available	STRAIN RELIEF
24	<a href="#">25-7674</a>			Screw
25	<a href="#">53-1026</a>			Guide, Vane Inlet
26	<a href="#">25-3457</a>			Screw, Sems
27	LA-1007	<a href="#">12002126</a>		Reinforcement Brace/Glide Kit
28	LA-2010	<a href="#">53-1625</a>		Brace, Tumbler Support
29	<a href="#">25-7815</a>			Washer
30	<a href="#">25-7957</a>			Pushnut
31	53-1628	<a href="#">31001344</a>		Pulley, Idler
32	53-2250	<a href="#">53-2287</a>		Idler Assembly

