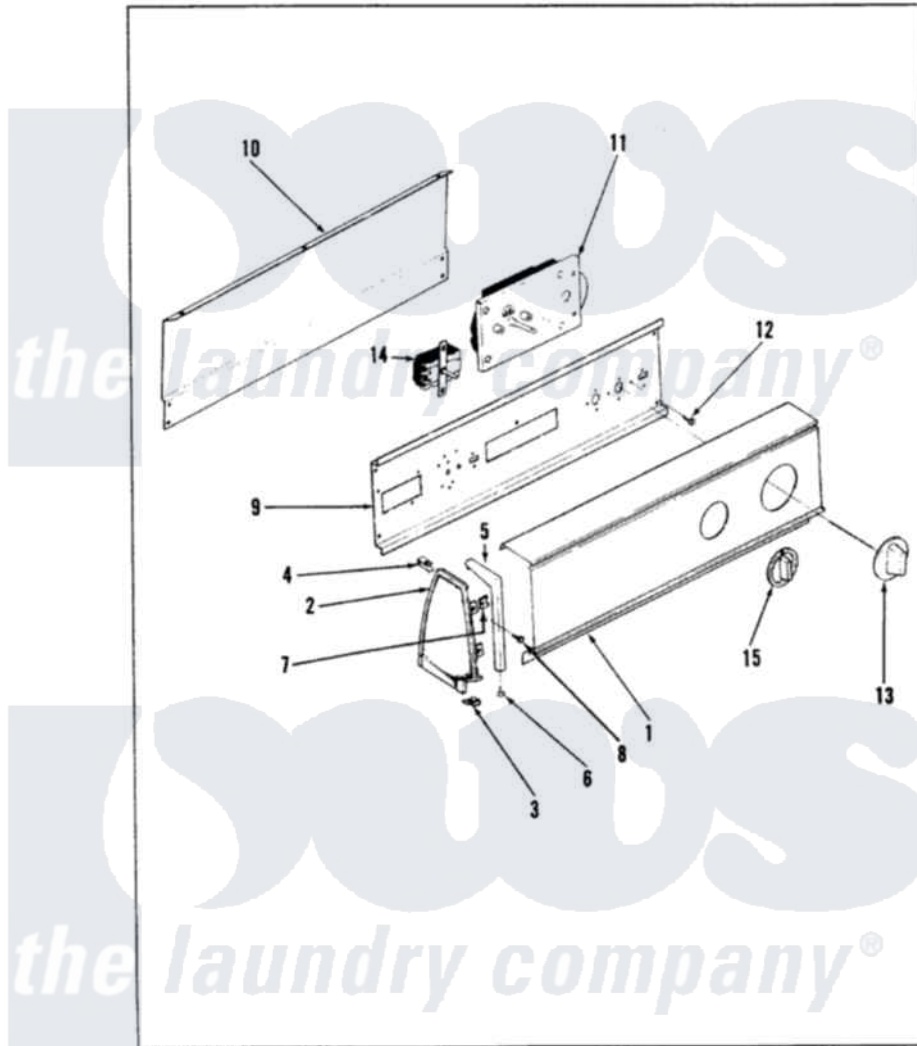


# Crosley CDE25P6A 01 - CONTROL PANEL (ORIG. REV. A-C)

CROSLEY

CDE25P6

BACKGUARD



ISSUED 10/89

Crosley Residential Crosley CDE25P6A Dryer Parts Parts Diagram 01 - CONTROL PANEL (ORIG. REV. A-C)  
 Click on the part number to view part

Item	Original Part Number	Replaced By	Status	Part Description
1	53-1287		Not Available	CONTROL PANEL
2	35-2488	<a href="#">21001452</a>		Cap- End
"	25-7649	<a href="#">910187</a>		Screw
"	<a href="#">25-7702</a>			Speedclip, End Cap To Control Panel
"	35-2487	<a href="#">21001451</a>		Cap- End
"	<a href="#">53-0264</a>			RH Endcap
"	<a href="#">53-0265</a>			LH Endcap
3	<a href="#">25-7851</a>			Speedclip, End Cap To Top
"	25-7697	<a href="#">25-2219</a>		Screw
"	25-7697	<a href="#">25-2219</a>		Screw
"	<a href="#">25-7851</a>			Speedclip, End Cap To Top
4	25-7435	<a href="#">33002917</a>		Screw, No.10-16
"	25-7435	<a href="#">33002917</a>		Screw, No.10-16
"	<a href="#">25-7852</a>			Speedclip, Rr Shld To End Cap
5	53-0278		Not Available	TRIM, END CAP (LT)

"	53-0277		Not Available	TRIM, END CAP (RT)
6	<a href="#">25-7760</a>			Screw
7	<a href="#">25-7702</a>			Speedclip, End Cap To Control Panel
"	<a href="#">25-7702</a>			Speedclip, End Cap To Control Panel
8	25-3092	<a href="#">90767</a>		Screw, 8A X 3/8 HeX Washer Head Tapping
9	53-0365	<a href="#">53-1676</a>		Shield, Control
"	<a href="#">53-1676</a>			Shield, Control
10	53-0268	<a href="#">21001460</a>		Shield, Rear
"	35-2688	<a href="#">21001460</a>		Shield, Rear
11	53-1552		Not Available	TIMER
"	63-6743	<a href="#">31001484</a>		Resistor Assembly
"	<a href="#">53-1367</a>			Timer
"	53-1807		Not Available	TIMER
"	63-6752		Not Available	TIMER MOTOR
12	25-7435	<a href="#">33002917</a>		Screw, No.10-16
"	25-0205	<a href="#">216412</a>		Screw, Bracket To Timer
13	53-0653	<a href="#">31001219</a>		Knob Ski
14	53-1265		Not Available	ROTARY SWITCH
"	25-3092	<a href="#">90767</a>		Screw, 8A X 3/8 HeX Washer Head Tapping
15	35-0145	<a href="#">21001283</a>		Knob, Selector----Piq
NI	25-3092	<a href="#">90767</a>		Screw, 8A X 3/8 HeX Washer Head Tapping
"	63-6731	<a href="#">53-1639</a>		Buzzer Assembly
"	63-5577-1		Not Available	MANUAL, USE & CARE
"	53-1453		Not Available	MANUAL, USE & CARE

*the laundry company*<sup>®</sup>

*the laundry company*<sup>®</sup>