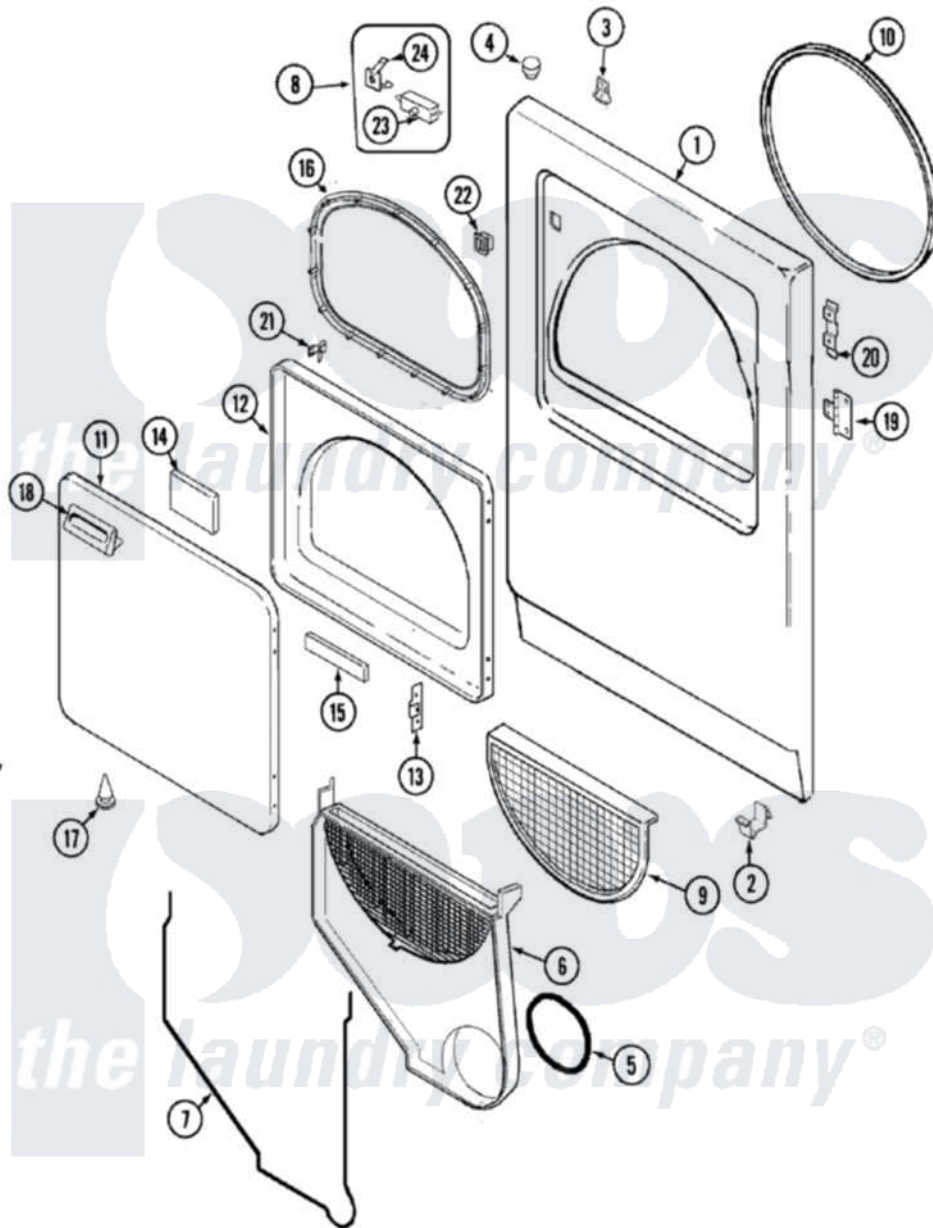


# Crosley CDE8000W 03 - DOOR (SERIES 11)



Crosley [Residential Crosley CDE8000W Dryer Parts](#) Parts Diagram 03 - DOOR (SERIES 11)  
 Click on the part number to view part

| Item | Original Part Number     | Replaced By               | Status        | Part Description        |
|------|--------------------------|---------------------------|---------------|-------------------------|
| 1    | 53-0726                  | <a href="#">31001771</a>  |               | Panel, Front            |
| 2    | <a href="#">53-0120</a>  |                           |               | Clip, Front Panel       |
| 3    | <a href="#">31001526</a> |                           |               | Lock, Top               |
| 4    | <a href="#">33-2653</a>  |                           |               | Bumper, Cabinet         |
| 5    | 53-0203                  | <a href="#">12001324</a>  |               | Duct Kit, Collector     |
| 6    | 25-7810                  | <a href="#">415013-35</a> |               | Screw                   |
| "    | <a href="#">12001324</a> |                           |               | Duct Kit, Collector     |
| 7    | <a href="#">53-0204</a>  |                           |               | Seal                    |
| 8    | <a href="#">LA-1005</a>  |                           |               | Switch Kit              |
| 9    | <a href="#">53-0918</a>  |                           |               | Filter, Lint            |
| 10   | 53-0281                  | <a href="#">31001747</a>  |               | Seal Assembly           |
| 11   | 25-7770                  | <a href="#">3196169</a>   |               | Screw, Element          |
| "    | <a href="#">53-0154</a>  |                           |               | Panel, Outer Door       |
| 12   | 53-0912                  |                           | Not Available | PANEL, INNER DOOR (WHT) |
| 13   | <a href="#">53-0119</a>  |                           |               | Clip, Hinge             |
| 14   | <a href="#">53-1490</a>  |                           |               | Door Pad                |

|    |                         |                           |                               |
|----|-------------------------|---------------------------|-------------------------------|
| 15 | <a href="#">53-1491</a> |                           | Door Pad                      |
| 16 | 53-0648                 | <a href="#">31001529</a>  | Seal, Door                    |
| 17 | <a href="#">25-7889</a> |                           | Plug Button                   |
| 18 | 25-7810                 | <a href="#">415013-35</a> | Screw                         |
| "  | <a href="#">53-0927</a> |                           | Handle, Door                  |
| 19 | <a href="#">25-7809</a> |                           | Screw, No.6-20 1/2 Flthd Torx |
| "  | <a href="#">53-1492</a> |                           | Hinge, Dryer Door             |
| 20 | 53-0121                 | Not Available             | TWIN NUT                      |
| 21 | 53-2364                 | <a href="#">LA-1003</a>   | Door Catch Kit                |
| 22 | 53-0187                 | <a href="#">LA-1003</a>   | Door Catch Kit                |
| 23 | 53-0147                 | <a href="#">53-0148</a>   | Switch, Door                  |
| 24 | 63-5990                 | <a href="#">31001319</a>  | Clip, Switch                  |

*the laundry company*<sup>®</sup>

*the laundry company*<sup>®</sup>

*the laundry company*<sup>®</sup>