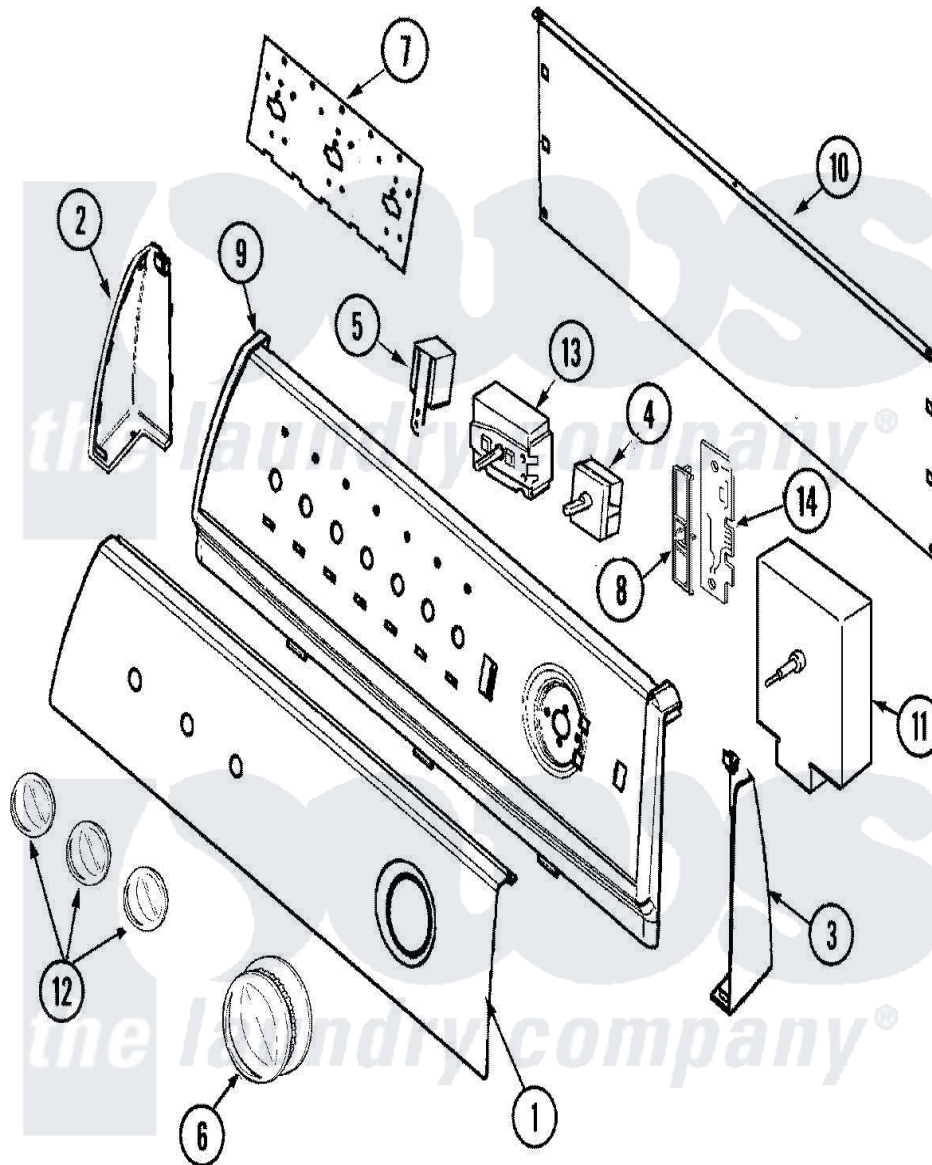


Crosley CDE8500W 02 - CONTROL PANEL



Crosley [Residential Crosley CDE8500W Dryer Parts](#) Parts Diagram 02 - CONTROL PANEL
 Click on the part number to view part

| Item | Original Part Number | Replaced By | Status | Part Description |
|------|--------------------------|-----------------------|--------|---|
| 1 | 31001737 | | | Panel, Control |
| 2 | 21001546 | | | Endcap, Panel |
| " | 25-3092 | 90767 | | Screw, 8A X 3/8 HeX Washer Head Tapping |
| 3 | 21001547 | | | Endcap, Panel |
| " | 25-3092 | 90767 | | Screw, 8A X 3/8 HeX Washer Head Tapping |
| 4 | 31001190 | | | Switch, Two Position Rotary |
| 5 | 31001397 | | | Buzzer |
| 6 | 31001388 | | | Knob/Skirt, Timer |
| 7 | 21001603 | | | Shield, Control |
| 8 | 31001507 | | | Bracket, Circuit Board |
| 9 | 21001552 | | | Frame, Control Panel |
| 10 | 21001527 | | | Shield, Rear |
| 11 | 31001513 | | | Timer |
| 12 | 21001544 | | | Knob, Selector |
| 13 | 31001183 | | | Resistor Assembly |

| | | |
|----|--------------------------|--------------------------------------|
| 13 | 31001403 | Temperature |
| " | 31001704 | Resistor Assembly Temperature |
| " | 53-4395 | Switch, Temperature |
| " | 31001447 | Switch, Temperature |
| 14 | 33001212 | Board, Control-Moisture Sensor |
| NI | 53-4451 | Harness, Wiring |
| " | 31001508 | Harness, Wire |
| " | 21001980 | Lead Assembly |
| " | 31001558 | Lead Assembly |
| " | 31001740 | Lead Assembly |
| " | 31001741 | Not Available LEAD ASSEMBLY (BUZZER) |

