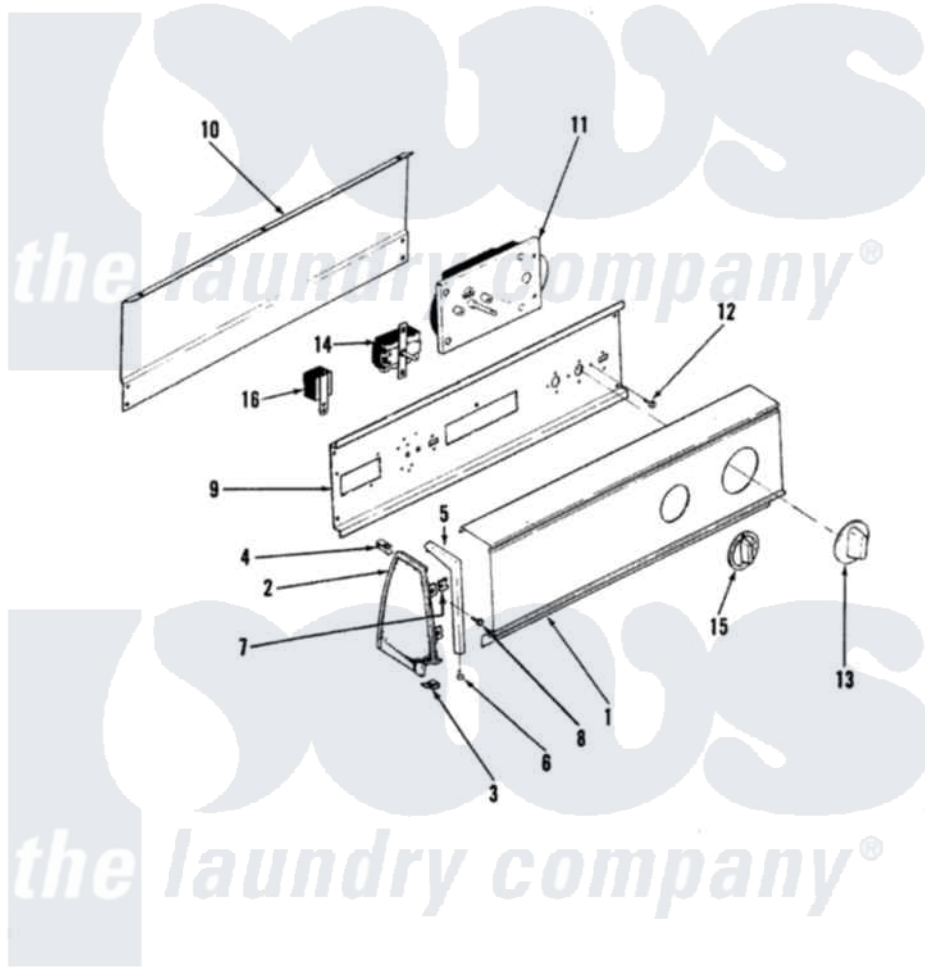


Crosley CDG20P6AC 01 - CONTROL PANEL

SECTION: BACKGUARD
MODEL: CDG20P6C



Issue Date: 1/91

Crosley [Residential Crosley CDG20P6AC Dryer Parts](#) Parts Diagram 01 - CONTROL PANEL
Click on the part number to view part

Item	Original Part Number	Replaced By	Status	Part Description
1	53-1287		Not Available	CONTROL PANEL
2	25-7702			Speedclip, End Cap To Control Panel
"	35-2487	21001451		Cap- End
"	25-7649	910187		Screw
"	53-2488	31001109		Owners Man
3	25-7851			Speedclip, End Cap To Top
"	25-7697	25-2219		Screw
4	25-7435	33002917		Screw, No.10-16
"	25-7852			Speedclip, Rr Shld To End Cap
5	53-0278		Not Available	TRIM, END CAP (LT)
"	53-0277		Not Available	TRIM, END CAP (RT)
6	25-7760			Screw
7	25-7702			Speedclip, End Cap To Control Panel
8	25-3092	90767		Screw, 8A X 3/8 HeX Washer Head Tapping

9	53-1676		Shield, Control
"	53-2504	31001193	Pad, Shield
10	35-2688	21001460	Shield, Rear
11	63-6752	Not Available	TIMER MOTOR
"	53-1548		Timer
"	53-1804		Timer
12	25-0205	216412	Screw, Bracket To Timer
"	25-7435	33002917	Screw, No.10-16
13	53-0653	31001219	Knob Ski
14	53-1265	Not Available	ROTARY SWITCH
"	25-3092	90767	Screw, 8A X 3/8 HeX Washer Head Tapping
15	35-0145	21001283	Knob, Selector---Piq
16	53-1449	Not Available	MANUAL, USE & CARE
"	53-1639		Buzzer Assembly
"	25-3092	90767	Screw, 8A X 3/8 HeX Washer Head Tapping

