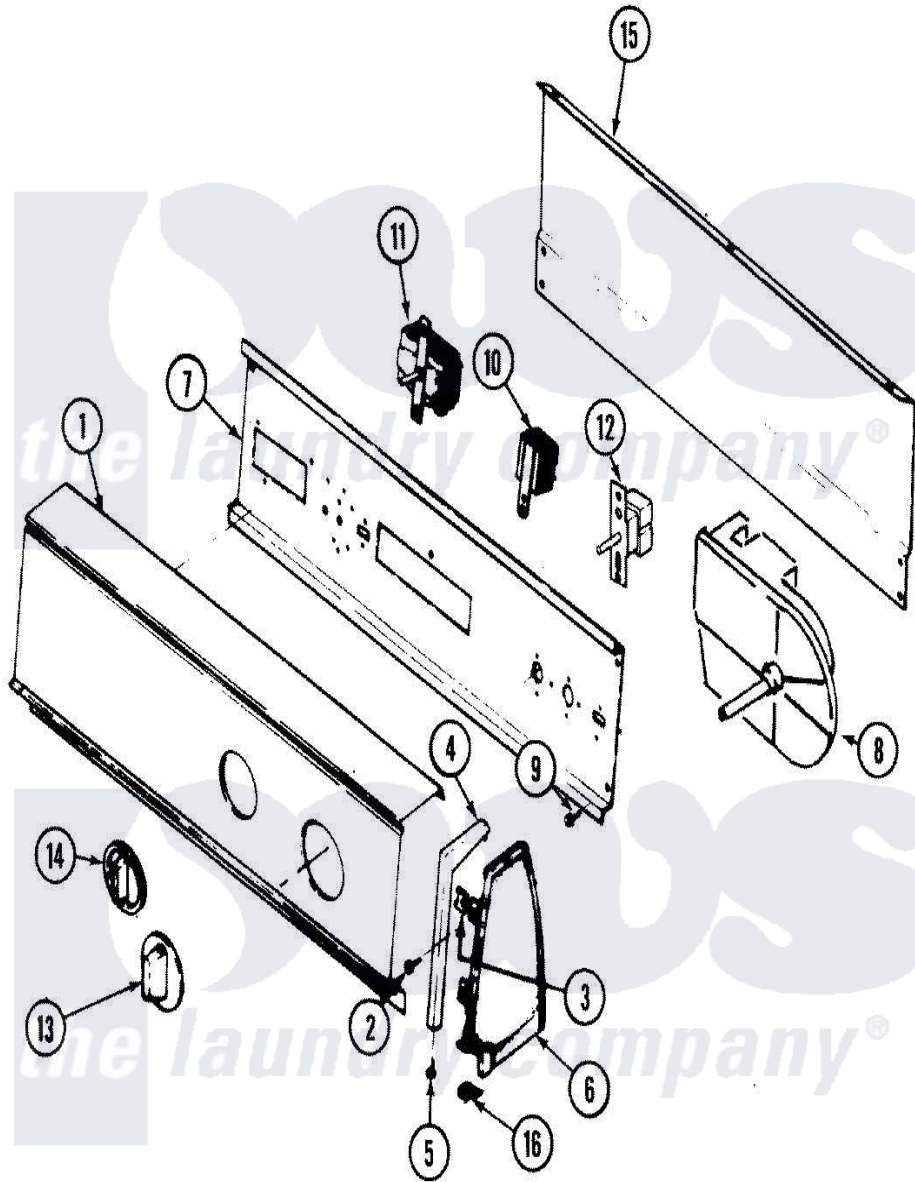


Crosley CDG20P8A 01 - CONTROL PANEL (ORIG. REV. A-D)



Crosley [Residential Crosley CDG20P8A Dryer Parts](#) Parts Diagram 01 - CONTROL PANEL (ORIG. REV. A-D)  
 Click on the part number to view part

Item	Original Part Number	Replaced By	Status	Part Description
1	<a href="#">25-7702</a>			Speedclip, End Cap To Control Panel
"	<a href="#">25-7793</a>			Screw
"	53-1286		Not Available	CONTROL PANEL
2	<a href="#">53-0264</a>			RH Endcap
"	35-2487	<a href="#">21001451</a>		Cap- End
3	35-2488	<a href="#">21001452</a>		Cap- End
"	<a href="#">25-7760</a>			Screw
"	<a href="#">53-0265</a>			LH Endcap
"	53-0278		Not Available	TRIM, END CAP (LT)
"	53-0277		Not Available	TRIM, END CAP (RT)
4	53-0365	<a href="#">53-1676</a>		Shield, Control
"	<a href="#">25-7702</a>			Speedclip, End Cap To Control Panel
"	25-3092	<a href="#">90767</a>		Screw, 8A X 3/8 HeX Washer Head Tapping
"	<a href="#">53-1676</a>			Shield, Control

5	25-0205	<a href="#">216412</a>		Screw, Bracket To Timer
"	53-1300		Not Available	TIMER
"	63-5685	<a href="#">63-5613</a>		Timer
6	53-0653	<a href="#">31001219</a>		Knob Ski
7	35-0145	<a href="#">21001283</a>		Knob, Selector---Piq
8	25-3092	<a href="#">90767</a>		Screw, 8A X 3/8 HeX Washer Head Tapping
"	63-6731	<a href="#">53-1639</a>		Buzzer Assembly
9	<a href="#">25-7702</a>			Speedclip, End Cap To Control Panel
10	53-1266		Not Available	ROTARY SWITCH
"	25-3092	<a href="#">90767</a>		Screw, 8A X 3/8 HeX Washer Head Tapping
11	53-0346	<a href="#">53-1263</a>		Rotary Switch
"	25-3092	<a href="#">90767</a>		Screw, 8A X 3/8 HeX Washer Head Tapping
12	25-3092	<a href="#">90767</a>		Screw, 8A X 3/8 HeX Washer Head Tapping
"	<a href="#">25-3457</a>			Screw, Sems
"	34-9487		Not Available	PLATE, REINFORCEMENT
"	25-7697	<a href="#">25-2219</a>		Screw
"	53-0268	<a href="#">21001460</a>		Shield, Rear
"	35-2688	<a href="#">21001460</a>		Shield, Rear
"	<a href="#">25-7851</a>			Speedclip, End Cap To Top
"	<a href="#">25-7852</a>			Speedclip, Rr Shld To End Cap
"	25-7435	<a href="#">33002917</a>		Screw, No.10-16

*the laundry company®*

*the laundry company®*