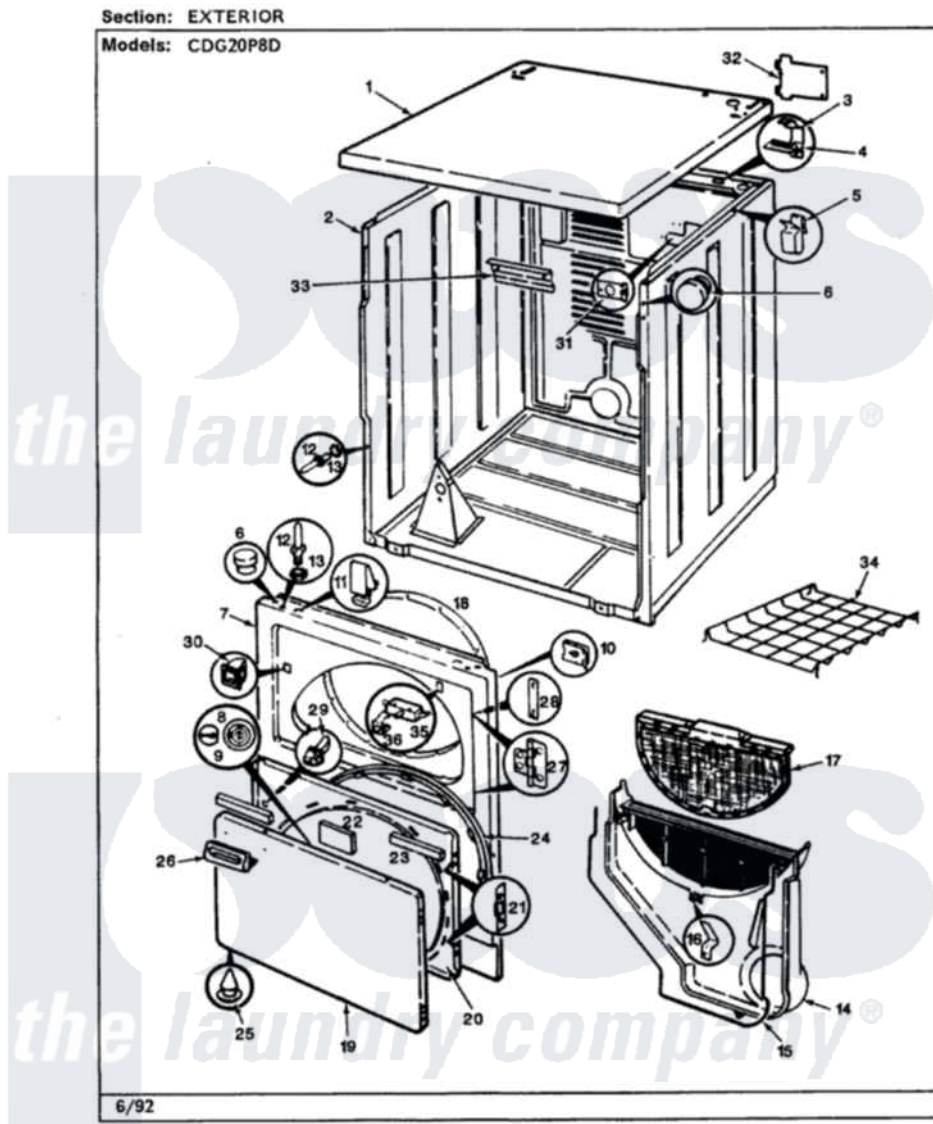


# Crosley CDG20P8D 03 - EXTERIOR (CDG20P8D)



Crosley [Residential Crosley CDG20P8D Dryer Parts](#) Parts Diagram 03 - EXTERIOR (CDG20P8D)  
Click on the part number to view part

| Item | Original Part Number    | Replaced By              | Status        | Part Description                        |
|------|-------------------------|--------------------------|---------------|---|
| 1    | 53-1711                 |                          | Not Available | CABINET TOP (DRYER)                     |
| 2    | 53-1644                 | <a href="#">31001714</a> |               | Cabinet And Base Assembly               |
| 3    | <a href="#">63-5712</a> |                          |               | Hinge, Cabinet Top                      |
| 4    | 25-3092                 | <a href="#">90767</a>    |               | Screw, 8A X 3/8 HeX Washer Head Tapping |
| "    | <a href="#">33-0930</a> |                          |               | Pad, Top Hinge                          |
| 5    | <a href="#">25-3034</a> |                          |               | Clip, Wiring                            |
| 6    | <a href="#">33-2653</a> |                          |               | Bumper, Cabinet                         |
| 7    | 53-0727                 | <a href="#">12001190</a> |               | Panel Kit                               |
| 8    | 53-0155                 |                          | Not Available | PLUG, GAS ACCESS (WHT)                  |
| 9    | <a href="#">53-0156</a> |                          |               | Button, Gas Access                      |
| 10   | 25-7817                 |                          | Not Available | CLIP, U-TYPE                            |
| "    | 25-7820                 | <a href="#">489478</a>   |               | Screw, 8 X 1/2                          |
| 11   | <a href="#">25-7220</a> |                          |               | Clip, Cabinet Top                       |
| 12   | 63-6148                 | <a href="#">53-0643</a>  |               | Pin, Locator                            |
| 13   | 25-0224                 | <a href="#">3400029</a>  |               | Nut, Adapter Plate                      |
| "    | <a href="#">53-0200</a> |                          |               | Sleeve, Locator Pin                     |

|    |                         |                           |                               |
|----|-------------------------|---------------------------|-------------------------------|
| 14 | 25-7810                 | <a href="#">415013-35</a> | Screw                         |
| "  | 53-1299                 | <a href="#">12001324</a>  | Duct Kit, Collector           |
| 15 | 53-0203                 | <a href="#">12001324</a>  | Duct Kit, Collector           |
| 16 | <a href="#">53-0123</a> |                           | Clip                          |
| 17 | <a href="#">53-0918</a> |                           | Filter, Lint                  |
| 18 | 53-0282                 | <a href="#">31001637</a>  | Seal Assembly, Cylinder Front |
| 19 | <a href="#">53-0154</a> |                           | Panel, Outer Door             |
| 20 | 53-0912                 | Not Available             | PANEL, INNER DOOR (WHT)       |
| 21 | <a href="#">53-0119</a> |                           | Clip, Hinge                   |
| 22 | 53-0251                 | <a href="#">53-1490</a>   | Door Pad                      |
| 23 | 53-0252                 | <a href="#">53-1491</a>   | Door Pad                      |
| 24 | 53-0648                 | <a href="#">31001529</a>  | Seal, Door                    |
| "  | 25-7770                 | <a href="#">3196169</a>   | Screw, Element                |
| 25 | 25-3534                 | <a href="#">25-7889</a>   | Plug Button                   |
| 26 | 53-0928                 | <a href="#">53-0927</a>   | Handle, Door                  |
| "  | 25-7810                 | <a href="#">415013-35</a> | Screw                         |
| 27 | 53-0122                 | <a href="#">53-1492</a>   | Hinge, Dryer Door             |
| 28 | <a href="#">LA-1003</a> |                           | Door Catch Kit                |
| "  | 53-0121                 | Not Available             | TWIN NUT                      |
| "  | <a href="#">25-7809</a> |                           | Screw, No.6-20 1/2 Flthd Torx |
| 29 | 73-0033                 | <a href="#">LA-1003</a>   | Door Catch Kit                |
| 30 | 53-0882                 | <a href="#">LA-1003</a>   | Door Catch Kit                |
| 31 | 53-0135                 | Not Available             | SUPPORT, POWER CORD           |
| "  | 25-7828                 | <a href="#">489483</a>    | Screw 10-32 X 1/2             |
| 32 | <a href="#">53-0136</a> |                           | Cover, Supply Cord            |
| 33 | <a href="#">53-0133</a> |                           | Shield, Heat                  |
| "  | <a href="#">25-3457</a> |                           | Screw, Sems                   |
| 34 | <a href="#">LA-1005</a> |                           | Switch Kit                    |
| "  | 53-0772                 | <a href="#">21001495</a>  | Rack, Drying                  |
| 35 | <a href="#">53-0148</a> |                           | Switch, Door                  |
| 36 | 63-5990                 | <a href="#">31001319</a>  | Clip, Switch                  |

