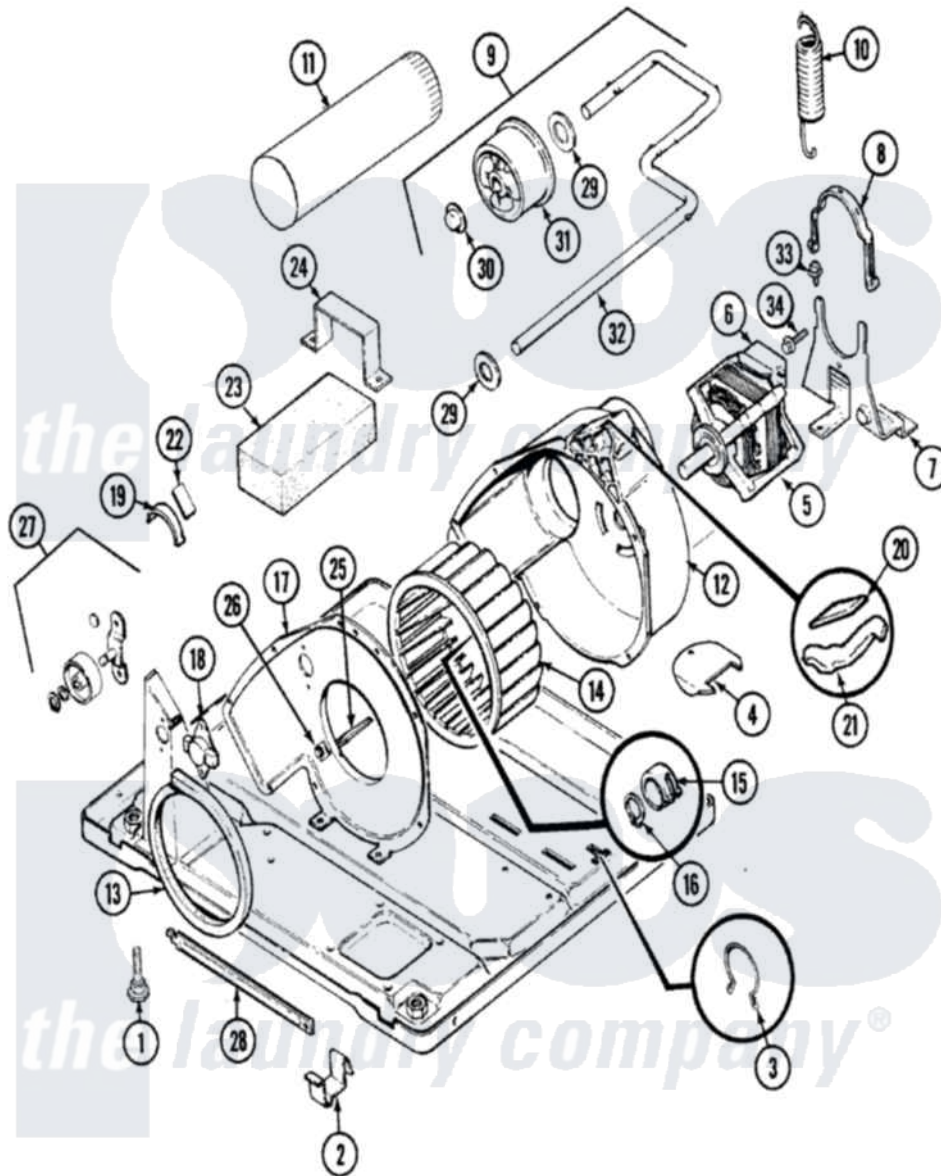


# Crosley CDG20T6A 02 - MOTOR & DRIVE



Crosley [Residential Crosley CDG20T6A Dryer Parts](#) Parts Diagram 02 - MOTOR & DRIVE  
 Click on the part number to view part

Item	Original Part Number	Replaced By	Status	Part Description
1	63-5834		Not Available	LEG, LEVELING
2	<a href="#">53-0120</a>			Clip, Front Panel
3	25-7027	<a href="#">16515</a>		Clip
4	25-7741	<a href="#">W10116760</a>		Screw
"	<a href="#">53-1921</a>			Shield, Wiring
5	31001015	<a href="#">W10410996</a>		Motor-Drve
"	53-2275	<a href="#">W10410996</a>		Motor-Drve
"	53-1589	<a href="#">341241</a>		Belt
6	53-0693	<a href="#">53-0332</a>		Motor Switch
7	53-1932	<a href="#">31001570</a>		Bracket, Motor
"	25-7811		Not Available	SCREW
8	53-0214	<a href="#">660658</a>		Clamp, Motor Mounting 343481 685441
9	<a href="#">53-2287</a>			Idler Assembly
10	53-2209	<a href="#">31001465</a>		Spring, Idler
11	25-2134	<a href="#">W10116760</a>		Screw
"	<a href="#">53-0134</a>			Duct, Exhaust

12	<a href="#">53-1801</a>		Housing, Blower
13	53-0203	<a href="#">12001324</a>	Duct Kit, Collector
14	<a href="#">31001043</a>		Wheel, Blower
"	<a href="#">53-0106</a>		Blower Wheel
15	25-7823	<a href="#">312967</a>	Clamp, Blower Housing
16	<a href="#">25-7855</a>		Ring, Retaining
17	25-7807	<a href="#">33002917</a>	Screw, No.10-16
"	<a href="#">53-1934</a>		Cover, Blower Housing
18	<a href="#">53-1107</a>		Thermostat, Control
"	25-2134	<a href="#">W10116760</a>	Screw
19	53-2273	<a href="#">31001470</a>	Glide, Tumbler
"	<a href="#">LA-1006</a>		Glide Kit, Tumbler
20	53-1684	<a href="#">31001356</a>	Pad, Glide
21	53-2272	<a href="#">31001469</a>	Glide, Tumbler
22	53-1684	<a href="#">31001356</a>	Pad, Glide
23	53-0645		Not Available
24	25-7732	<a href="#">681414</a>	COUNTERWEIGHT
"	53-0644		Not Available
25	<a href="#">53-1026</a>		BRACKET
26	<a href="#">53-1026</a>		Guide, Vane Inlet
27	<a href="#">25-3457</a>		Screw, Sems
27	<a href="#">LA-1008</a>		Rr Roller Kit
"	LA-1007	<a href="#">12002126</a>	Reinforcement Brace/Glide Kit
28	<a href="#">53-1625</a>		Brace, Tumbler Support
29	<a href="#">25-7815</a>		Washer
30	<a href="#">25-7957</a>		Pushnut
31	53-1628	<a href="#">31001344</a>	Pulley, Idler
32	53-2250	<a href="#">53-2287</a>	Idler Assembly
33	25-7699		Not Available
34	<a href="#">25-7674</a>		STRAIN RELIEF
			Screw

